

# Luminator Series

industrial and harsh environment emergency lighting NSF Standard 2 "Splash Zone" listed



## features

- 120/277 VAC, 60 Hz dual voltage input
- 6 or 12 volt operation, 25 to 150 watts
- Maintenance-free, sealed lead calcium or nickel cadmium battery
- Constructed of impact-resistant, fiberglass-reinforced polyester, housing color is gray and includes stainless steel hardware
- Ideal for locations where oil, water and dust-resistant equipment are required
- Standard Smart Charger self-diagnostics, self-testing is optional (see page 77 for Smart Charger features)
- UL 924 listed, UL Damp and Wet Location listed
- NFPA 70, NFPA 101, NEC, BOCA, OSHA and IBC illumination standards, NSF Standard 2 "Splash Zone" listed

## electrical specifications

- Input power requirements
- 6 Volt: 25-50W - 0.157 A (120 VAC), 0.069 A (277 VAC); 75W - 0.222 A (120 VAC), 0.094 A (277 VAC)
- 12 Volt: 50-100W - 0.289 A (120 VAC), 0.135 A (277 VAC); 125W - 0.433 A (120 VAC), 0.188 A (277 VAC)
- 150W - 0.470 A (120 VAC), 0.203 A (277 VAC)

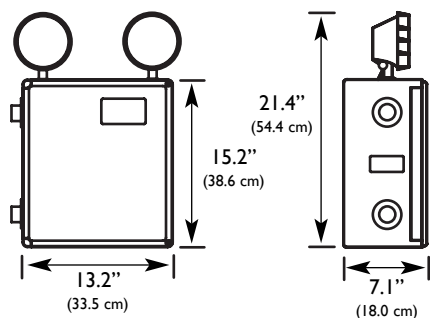
## operating temperature range

Standard: 32°F (0°C) to 104°F (40°C)

## warranty

- Electronics - three years full
- Lead Calcium Battery - one year full, four years pro-rata
- Nickel Cadmium Battery - five years full, five years pro-rata

## dimensions



## ordering information

SERIES		LAMP HEAD	# OF HEADS	SC	MODEL DESIGNATOR	OPTIONS'
<b>6 Volt, Lead Calcium</b> LC25 = 25 Watt Unit LC50 = 50 Watt Unit LC75 = 75 Watt Unit  <b>6 Volt, Nickel Cadmium</b> LN25 = 25 Watt Unit LN50 = 50 Watt Unit LN75 = 75 Watt Unit	<b>12 Volt, Lead Calcium</b> LTC50 = 50 Watt Unit LTC75 = 75 Watt Unit LTC100 = 100 Watt Unit LTC125 = 125 Watt Unit LTC150 = 150 Watt Unit  <b>12 Volt, Nickel Cadmium</b> LTN50 = 50 Watt Unit LTN75 = 75 Watt Unit LTN100 = 100 Watt Unit LTN125 = 125 Watt Unit LTN150 = 150 Watt Unit	<b>Tungsten</b> XM = 6V, 8W XN = 6V, 18W XO = 6V, 25W XQ = 12V, 12W XR = 12V, 18W XS = 12V, 25W  <b>Halogen</b> XU = 6V, 8W XV = 6V, 12W XW = 12V, 8W XX = 12V, 12W XS = 12V, 50W	3 = Three 2 = Two 1 = One Blank = No Heads	SC = Smart Charger Diagnostics	A = Ammeter BD = Battery Disconnect Switch F1 = 120 VAC Fuse F2 = 277 VAC Fuse P1 = 120 VAC Power Switch P2 = 277 VAC Power Switch S = Shatterproof Lexan Lamp Head Lens T = Self-Testing Diagnostics TA = Audible Self-Testing Diagnostics TD = Time Delay (15 minutes) V = Voltmeter	<b>ACCESSORIES</b> (Ordered Separately) SCIR = Smart Charger Infra-Red Remote WG = Wire Guard
Note: 1) For self-testing models refer to options. 2) Some option combinations may impact UL listing. Consult factory for specifications.						

Industrial lighting

# Wet-Lok Series

industrial emergency lighting  
6, 12 and 24 volt, 25 to 150 watts



industrial lighting

## features

- 120/277 VAC, 60 Hz dual voltage input
- Maintenance-free, sealed lead calcium, pure lead or nickel cadmium battery
- 6 volt, 12 and 24 volt, 25 to 150 watt (24 volt system available in 100 watt capacity only)
- Constructed of a gray, impact-resistant Lexan® with corrosion-resistant hardware
- Internally mounted lamp heads are on the bottom for optimum path of egress illumination
- Standard wall mount bracket; can be column, pole or I-beam mounted when used with the universal mounting kit accessory
- Standard Smart Charger self-diagnostics, self-testing is optional (see page 77 for Smart Charger features)
- UL 924 listed, UL Wet Location listed, NSF standard 2 "Splash Zone" listed, NEMA 250 (NEMA 4X classification)
- NFPA 101, NEC, BOCA, OSHA and IBC illumination standards, IEC 61951-1 Life Testing (NiCad batteries), IEC 529 (60529) IP66

## electrical specifications

- Input power requirements
- 6 Volt and 12 Volt, Standard and 'H' - High Ambient Units: 0.319 A (120 VAC), 0.142 A (277 VAC)
- 6 Volt and 12 Volt, 'C' - Cold Ambient and 'E' - Extreme Ambient Units: 0.683 A (120 VAC), 0.305 A (277 VAC)
- 24 Volt Models: 0.507 A (120 VAC), 0.227 A (277 VAC)

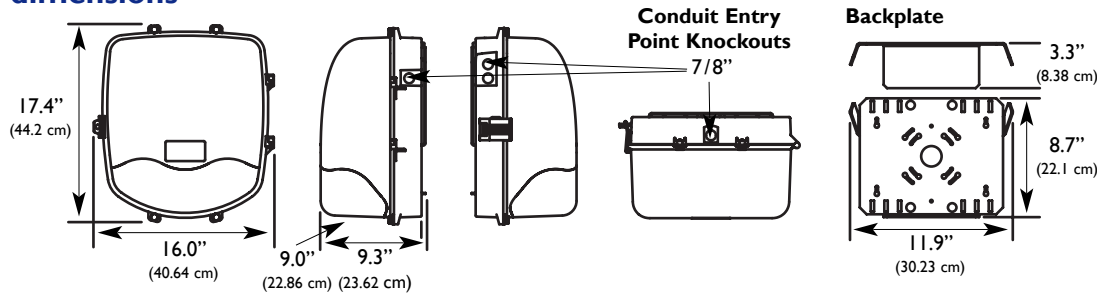
## operating temperature range

- Standard Wet Location Listed: 32°F (0°C) to 104°F (40°C); 'C' - Cold Ambient, Wet Location Listed: -40°F (-40°C) to 104°F (40°C)
- 'H' - High Ambient, Wet Location Listed: 32°F (0°C) to 131°F (55°C); 'E' - Extreme Ambient, Wet Location Listed: -40°F (-40°C) to 131°F (55°C)

## warranty

- Electronics - three years full
- Lead Calcium/Pure Lead Battery - one year full, four years pro-rata; Nickel Cadmium Battery - five years full, five years pro-rata

## dimensions



## ordering information

WL							SC		
SERIES	VOLTAGE	CAPACITY <sup>1</sup>	ENVIRON.***	LAMP DESIGNATOR		LAMP QTY	MODEL DES.	OPTIONS	
WL = Wet-Lok Series Industrial Emergency Lighting Fixture	6 = 6 Volts DC 2 = 12 Volts DC 4 = 24 Volts DC <sup>1</sup>	2 = 25 Watts 5 = 50 Watts 7 = 75 Watts 1 = 100 Watts <sup>1</sup> 12 = 125 Watts <sup>3</sup> 15 = 150 Watts <sup>3</sup>	See Capacity & Environment for Limited availability***  Blank = Wet Location Listed (0°C to 40°C) C = Cold Ambient Conditions, Wet Location Listed (-40°C to 40°C) H = High Ambient Conditions, Wet Location Listed (0°C to 55°C) E = Extreme Ambient Conditions, Wet Location Listed (-40°C to 55°C)	<b>6 Volt, PAR 36 Sealed Beam Tungsten</b> PA = 8 Watt PB = 18 Watt PC = 25 Watt PD = 30 Watt	<b>12 Volt, PAR 36 Sealed Beam Halogen</b> PK = 8 Watt PL = 12 Watt PM = 37 Watt PN = 50 Watt	0 = No Heads 2 = Two Heads	SC = Smart Charger Diagnostics	A = Ammeter ACF1 = 120 Volt AC Input Fuse ACF2 = 277 Volt AC Input Fuse ACP1 = 120 Volt AC Disconnect Switch ACP2 = 277 Volt AC Disconnect Switch BDS = Battery Disconnect Switch EX = Special Input Transformer <sup>2</sup> (specify voltage & frequency) T = Self-Testing Diagnostics (non-audible) TA = Audible Self-Testing Diagnostics TD = Time Delay V = Voltmeter	
<b>***CAPACITY AND ENVIRONMENT SELECTION</b> C = 12V, 100W; 12V, 125W; 12V, 150W H = 6V, 50W; 12V, 50W; 12V, 100W; 12V, 125W; 12V, 150W E = 6V, 50W; 12V, 50W; 12V, 100W; 12V, 125W; 12V, 150W  All other configurations are standard wet location listed from 0°C to 40°C.			<b>24 Volt, PAR 36 Sealed Beam Tungsten</b> PI = 8 Watt PJ = 12 Watt PP = 20 Watt  <b>12 Volt, PAR 36 Sealed Beam Tungsten</b> PE = 12 Watt PF = 18 Watt PG = 25 Watt PH = 30 Watt		Note: 1) 24 volt systems only available in 100 watt configurations. 2) Certain option combinations may impact UL listing, consult factory. 3) 125 and 150 watt units available in 12VDC configurations only.		<b>ACCESSORIES</b> (Ordered Separately) NUMK = Universal Mounting Kit (column, pole, I-beam) SCIR = Smart Charger Infra-Red Remote		

# Wet-Lok Series

industrial emergency lighting  
12 and 24 volt, 200 to 450 watts



## features

- 120/277 VAC, 60 Hz dual voltage input
- Maintenance-free, sealed lead calcium or pure lead battery
- 12 and 24 volt, 200 to 450 watt (24 volt system available in 300 and 450 watt capacity only)
- Constructed of a gray, impact-resistant Lexan® with corrosion-resistant hardware
- Internally mounted lamp heads are on the bottom for optimum path of egress illumination
- Standard wall mount bracket; can be column, pole or I-beam mounted when used with the universal mounting kit accessory
- Standard Smart Charger self-diagnostics, self-testing is optional (see page 77 for Smart Charger features)
- UL 924 listed, UL Wet Location listed, NSF standard 2 "Splash Zone" listed, NEMA 250 (NEMA 4X classification)
- NFPA 101, NEC, BOCA, OSHA and IBC illumination standards, IEC 529 (60529) IP66

## electrical specifications

Input power requirements	120 VAC	277 VAC	Input power requirements	120 VAC	277 VAC
12 Volt, Standard:	0.560 A	0.236 A	24 Volt, Standard:	0.697 A	0.304 A
12 Volt, 'C' - Cold Ambient:	0.984 A	0.422 A	24 Volt, 'C' - Cold Ambient:	1.343 A	0.594 A
12 Volt, 'H' - High Ambient:	0.463 A	0.192 A	24 Volt, 'H' - High Ambient:	0.741 A	0.312 A
12 Volt, 'E' - Extreme Ambient:	0.992 A	0.443 A	24 Volt, 'E' - Extreme Ambient:	1.256 A	0.548 A

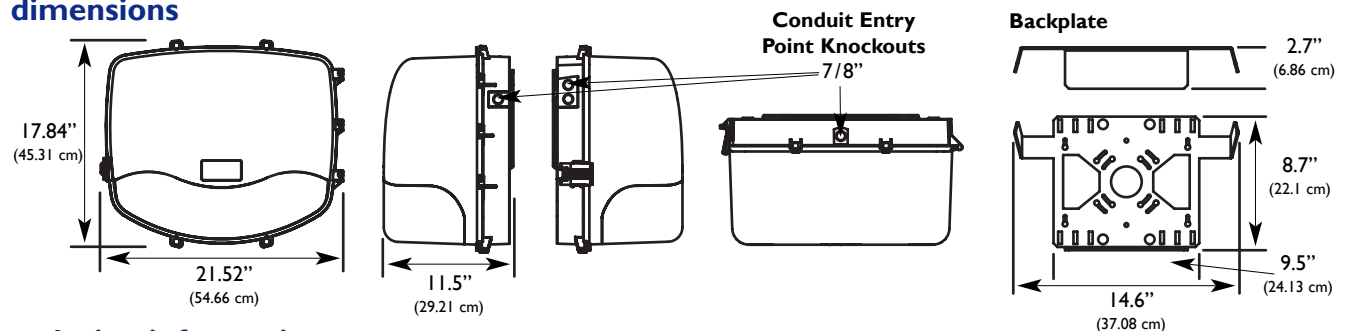
## operating temperature range

Standard Wet Location Listed: 32°F (0°C) to 104°F (40°C); 'C' - Cold Ambient, Wet Location Listed: -40°F (-40°C) to 104°F (40°C)  
'H' - High Ambient, Wet Location Listed: 32°F (0°C) to 131°F (55°C); 'E' - Extreme Ambient, Wet Location Listed: -40°F (-40°C) to 131°F (55°C)

## warranty

Electronics - three years full; Lead Calcium/Pure Lead Battery - one year full, four years pro-rata

## dimensions



## ordering information

WL					SC				
SERIES	VOLTAGE	CAPACITY	ENVIRON.***	LAMP DESIGNATOR	LAMP QTY	MODEL DES.	OPTIONS		
WL = Wet-Lok Series Industrial Emergency Lighting Fixture	2 = 12 Volts DC 4 = 24 Volts DC <sup>2</sup>	20 = 200 Watts 25 = 250 Watts 30 = 300 Watts 40 = 400 Watts 45 = 450 Watts	See Capacity & Environment for Limited Availability***  Blank = Wet Location Listed (0°C to 40°C) C = Cold Ambient Conditions, Wet Location Listed (-40°C to 40°C) H = High Ambient Conditions, Wet Location Listed (0°C to 55°C) E = Extreme Ambient Conditions, Wet Location Listed (-40°C to 55°C)	<b>12 Volt, PAR 36 Sealed Beam Tungsten</b> PE = 12 Watt PF = 18 Watt PG = 25 Watt PH = 30 Watt  <b>12 Volt, PAR 36 Sealed Beam Halogen</b> PK = 8 Watt PL = 12 Watt PM = 37 Watt PN = 50 Watt  <b>24 Volt, Sealed Beam Tungsten</b> PO = 50 Watt	0 = No Heads 2 = Two Heads 3 = Three Heads	SC = Smart Charger Diagnostics	A = Ammeter ACF1 = 120 Volt AC Input Fuse ACF2 = 277 Volt AC Input Fuse ACP1 = 120 Volt AC Disconnect Switch ACP2 = 277 Volt AC Disconnect Switch BDS = Battery Disconnect Switch EX = Special Input Transformer <sup>1</sup> (specify voltage & frequency) T = Self-Testing Diagnostics (non-audible) TA = Audible Self-Testing Diagnostics TD = Time Delay V = Voltmeter		
<b>***CAPACITY AND ENVIRONMENT SELECTION</b> C = 12V, 300W; 24V, 300W H = 12V, 300W; 24V, 300W E = 12V, 300W; 24V, 300W  All other configurations are standard wet location listed from 0°C to 40°C.			Note: 1) Certain option combinations may impact UL listing, consult factory. 2) 24 volt systems only available in 300 and 450 watt configurations.					<b>ACCESSORIES</b> (Ordered Separately) NUMK = Universal Mounting Kit (column, pole, I-beam) SCIR = Smart Charger Infra-Red Remote	

Industrial lighting

# F100/F85

LEC-361 or LC-310 powered industrial duty emergency lighting



industrial lighting

## features

- 120/277 VAC dual voltage input
- 6 volt, 87 or 85 watt operation
- Maintenance-free, sealed lead calcium batteries with a 10 (LC-310) or 20 (LEC-361) year expected service life
- Charging system is complete with low voltage disconnect, brownout protection, AC indicator lamp and test switch
- Constructed of 20 gauge steel housing and an 18 gauge steel cover with an epoxy powder coat finish
- Illumination is accomplished with up to three polycarbonate or metal chrome lamp heads
- Optional self-diagnostics
- UL 924 listed
- NFPA 101, NEC, BOCA, OSHA and IBC illumination standards

## electrical specifications

Input power requirements: 120 VAC = 0.38 A, 277 VAC = 0.16 A

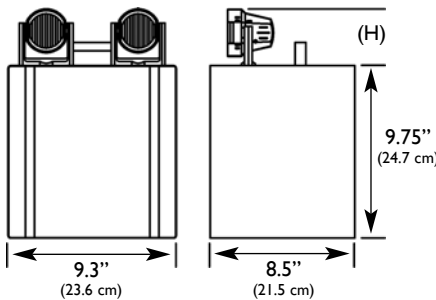
## operating temperature range

65°F (19°C) to 90°F (32°C)

## warranty

- Electronics - three years full
- LEC-361 Battery - five years full, ten years pro-rata; LC-310 Battery - three years full, seven years pro-rata

## dimensions



Lamp Head	Height (H)
H	3.5" (8.9 cm)
X or Z	6.25" (15.9 cm)
PRL(H)	6.25" (15.9 cm)

## ordering information

SERIES	# OF HEADS	LAMP HEAD TYPE	OPTIONS <sup>1</sup>
F100 = 6 Volt, 87 Watt Unit F85 = 6 Volt, 85 Watt Unit	3 = Three 2 = Two 1 = One Blank = No Heads	H76B = 6 Volt, 7 Watt H126B = 6 Volt, 12 Watt  Optional heads available, consult factory or refer to lamp heads page.	EX = Special Input Transformer (specify voltage & frequency) OT = OmniTest Self-Diagnostics OTAL = OmniTest with Audible Alarm OTTD = OmniTest with Time Delay <sup>2</sup> RT = Remote Test <sup>2</sup> TD1 = 120 VAC Time Delay <sup>2</sup> TD2 = 277 VAC Time Delay <sup>2</sup>
<b>ACCESSORIES</b> (Ordered Separately) PVS = Polycarbonate Vandal Shield WG9 = Wire Guard MBF = Mounting Plate for Side Stud URT612 = Universal Remote Test (URT) <sup>2</sup>			Note: 1) Some option combinations may impact UL listing. Consult factory for specifics. 2) 15 minute delay.

# B200G/B I 70G

LEC-361 or LC-310 powered industrial emergency lighting



## features

- 120/277 VAC dual voltage input
- 12 volt, 174 or 170 watt operation
- Maintenance-free, sealed lead calcium batteries with a 10 (LC-310) or 20 (LEC-361) year expected service life
- Charging system is complete with low voltage disconnect, brownout protection, AC indicator lamp and test switch
- Constructed of 18 gauge steel with an epoxy powder coat finish
- Illumination is accomplished with up to three polycarbonate or metal chrome lamp heads
- Optional self-diagnostics
- UL 924 listed
- NFPA 101, NEC, BOCA, OSHA and IBC illumination standards

## electrical specifications

Input power requirements: 120 VAC = 0.40 A, 277 VAC = 0.17 A

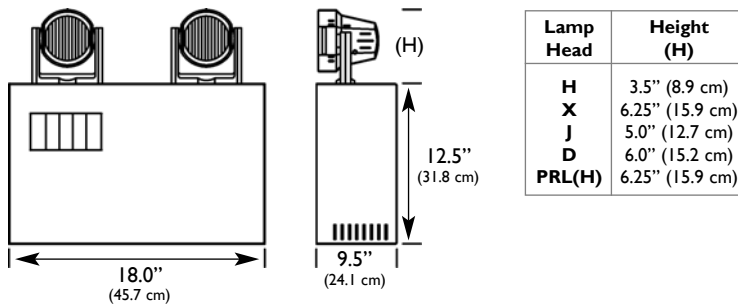
## operating temperature range

65°F (19°C) to 90°F (32°C)

## warranty

- Electronics - three years full
- LEC-361 Battery - five years full, ten years pro-rata; LC-310 Battery - three years full, seven years pro-rata

## dimensions



## ordering information

SERIES	# OF HEADS	LAMP HEAD TYPE	OPTIONS <sup>1</sup>
B200G = 12 Volt, 174 Watt Unit B170G = 12 Volt, 170 Watt Unit	3 = Three 2 = Two 1 = One Blank = No Heads	H1212B = 12 Volt, 12 Watt  Optional heads available, consult factory or refer to lamp heads page.	EX = Special Input Transformer (specify voltage & frequency) OT = OmniTest Self-Diagnostics OTAL = OmniTest with Audible Alarm OTTD = OmniTest with Time Delay <sup>2</sup> TD1 = 120 VAC Time Delay <sup>2</sup> TD2 = 277 VAC Time Delay <sup>2</sup>
<b>ACCESSORIES</b> (Ordered Separately) WG = Wire Guard MBBG = Mounting Bracket URT612 = Universal Remote Test (URT) <sup>2</sup>			Note: 1) Some option combinations may impact UL listing. Consult factory for specifics. 2) 15 minute delay.

# N4X Series

industrial and harsh environment emergency lighting



industrial lighting

## features

- 120/277 VAC, 60 Hz dual voltage input
- 6 or 12 volt operation, 14 to 50 watts
- Maintenance-free, sealed lead calcium or nickel cadmium battery
- Charging system is complete with low voltage disconnect, AC lockout, brownout protection, AC indicator lamp and test switch
- Constructed of impact-resistant, fiberglass-reinforced polyester
- Includes two black, rectangular, thermoplastic 7 or 9 watt lamp heads externally mounted
- Internally mounted white and black lamp heads available with "IH" option
- Ideal for food processing and washdown areas
- UL 924 listed, UL Wet or Damp Location listings optional
- NFPA 101, NEC, BOCA, OSHA and IBC illumination standards, NSF standard 2 "Splash Zone" listed

## electrical specifications

Input power requirements: 0.15 A (120 VAC), 0.07 A (277 VAC)

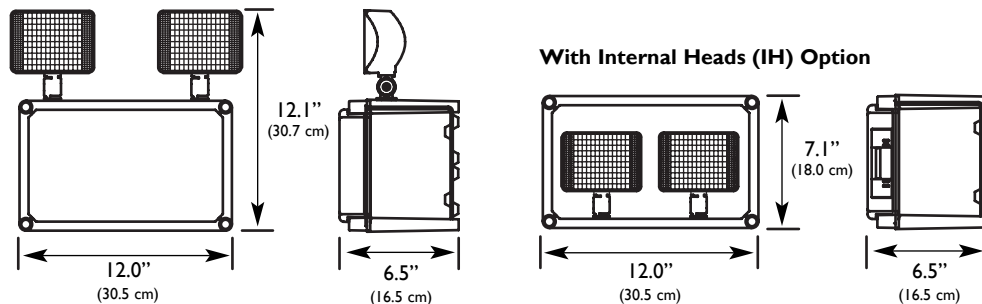
## operating temperature range

Standard Location: 65°F (19°C) to 85°F (30°C), Damp/Wet Location: 50°F (10°C) to 104°F (40°C)

## warranty

- Electronics - three years full
- Lead Calcium Battery - one year full, four years pro-rata; Nickel Cadmium Battery - five years full, five years pro-rata

## dimensions



## ordering information

N4X					
SERIES	DC VOLTAGE	BATTERY	DC WATTAGE		OPTIONS <sup>1</sup>
N4X = N4X Series	6 = 6 Volt	L = Lead Calcium	<b>6 Volt, Lead Calcium</b>	<b>6 Volt, Nickel Cadmium</b>	EX = Special Input Transformer (specify voltage & frequency) IH = Internally Mounted Lamp Heads (specify head type**, up to 25W units only) TD1 = 120 VAC Time Delay <sup>2</sup> TD2 = 277 VAC Time Delay <sup>2</sup> TP = Tamperproof W = UL Wet Location Listing Z = UL Damp Location Listing
	12 = 12 Volt	N = Nickel Cadmium	18 = 18 Watts 25 = 25 Watts 36 = 36 Watts 50 = 50 Watts	14 = 14 Watts 18 = 18 Watts 25 = 25 Watts 50 = 50 Watts	
<b>ACCESSORIES</b> (Ordered Separately)			<b>12 Volt, Lead Calcium</b>	<b>12 Volt, Nickel Cadmium</b>	Note: 1) Some option combinations may impact UL listing. Consult factory for specifics. 2) 15 minute delay.
EMF = External Mounting Feet NTPTOOL = Tamperproof Screwdriver PVS = Polycarbonate Vandal Shield WG5 = Wire Guard			36 = 36 Watts 50 = 50 Watts	50 = 50 Watts	
			**Specify for internal heads (IH) option only		
			H76W = 6 Volt, 7 Watt H126W = 6 Volt, 12 Watt J66 = 6 Volt, 5.4 Watt J76 = 6 Volt, 7.2 Watt J96 = 6 Volt, 9 Watt	H76B = 6 Volt, 7 Watt H126B = 6 Volt, 12 Watt J66B = 6 Volt, 5.4 Watt J76B = 6 Volt, 7.2 Watt J96B = 6 Volt, 9 Watt	

# LN4X Series

harsh environment emergency lighting



## features

- 120/277 VAC, 60 Hz dual voltage input
- 6 volt, 15 watt unit
- Maintenance-free, sealed lead calcium battery
- Constructed of corrosion-resistant grey fiberglass
- Illumination provided by two 6 VDC, 7.2 watt, fully adjustable Par 36 style lamp heads
- UL 924 listed
- UL Wet Location listed
- NFPA 101, NEC, BOCA, OSHA and IBC illumination standards

## electrical specifications

Input power requirements: 0.050 A (120 VAC), 0.021 A (277 VAC)

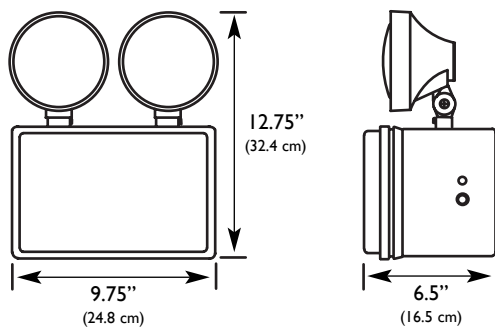
## operating temperature range

44°F (5°C) to 104°F (40°C)

## warranty

Electronics - one year full; Battery - one year full, four years pro-rata

## dimensions



## ordering information

<b>LN4X</b>
<b>SERIES</b>
LN4X = Corrosion-Resistant Emergency Lighting Unit 6 Volt, 15 Watt Emergency Lighting Fixture

# LEC-36I & LC-310

**maintenance-free, sealed  
lead calcium batteries**



industrial lighting

## LEC-36I features

- Expected service life of up to 20 years
- Minimum of 58 ampere hour capacity
- Battery casing made of 94 V-0 rated polycarbonate
- Plate construction reduces charge resistance and allows the LEC-36I to re-charge quickly without damage
- Extra-thick electrodes provide longer life and extremely reliable service throughout the product's design life
- Never needs water addition, thus reducing maintenance time and cost
- Ideal for low-rate, long-duration, emergency lighting applications
- Rated for 150-200 discharge cycles

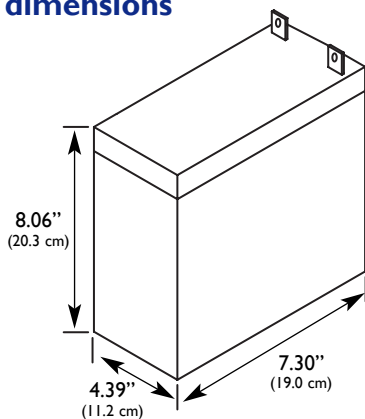
## operating temperature range

Normal: 60°F (16°C) to 90°F (32°C)

## warranty

Five years full, ten years pro-rata

## dimensions



### LEC-36I Discharge Wattage Capability to 5.25 VDC

30 MIN	1 HR	1.5 HR	2 HR	4 HR	8 HR	10 HR
355.0	205.3	163.0	121.8	71.3	39.7	32.4

### Storage/Self Discharge Characteristics to 50% Capacity

TEMP (°F)	TIME (DAYS)
104	120
86	195
68	360
50	480

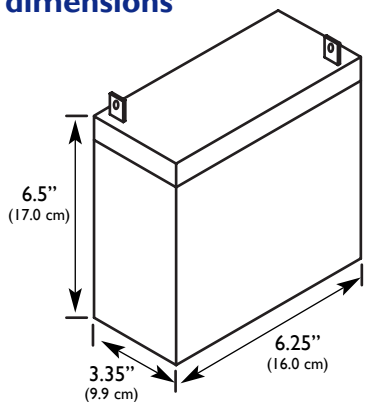
## LC-310 features

- Expected service life of 10+ years
- Battery casing made of high-impact ABS plastic
- Never needs water addition, thus reducing maintenance time and cost
- Ideal for low-rate, long-duration, emergency lighting applications
- LC-310 is a valve-regulated, absorbed electrolyte battery
- Operates at low internal pressure and is tolerant of low temperatures

## warranty

Three years full, seven years pro-rata

## dimensions



### LC-310 Discharge Wattage Capability to 5.25 VDC

30 MIN	1 HR	1.5 HR	2 HR	4 HR	8 HR
170	125	85	65	28	14

### Storage/Self Discharge Characteristics to 50% Capacity

TEMP (°F)	TIME (DAYS)
100	120
80	180
60	300
40	365