

Guard-Lite Series

Class I & II, Division 2
hazardous location emergency lighting



features

120/277 VAC, 60 Hz dual voltage input, 6 or 12 volt operation, 25 to 150 watts
Maintenance-free, sealed lead calcium or nickel cadmium battery
Constructed of impact-resistant, fiberglass-reinforced polyester
Suitable for use in Class I, Division 2, Groups A, B, C & D; Class I, Zone 2, Groups IIA, IIB (+ H₂) & IIC; and Class II, Division 2, Groups F & G
Standard Smart Charger self-diagnostics, self-testing is optional on self-powered models (see page 77 for Smart Charger features)
UL 924 and 844 listed, Temperature Rating (T-Rating) 160° (T3C), Class I, Zone 2 T-Rating 200° (T3)
NFPA 101, NEC, BOCA, OSHA and IBC illumination standards

electrical specifications

6 VDC 25 & 50 W Lead Calcium: 0.18 A (120 VAC), 0.08 A (277 VAC)
12 VDC 25, 50, 100 & 125 W Lead Calcium: 0.40 A (120 VAC), 0.18 A (277 VAC)
6 & 12 VDC 25 W Nickel Cadmium: 0.088 A (120 VAC), 0.042 A (277 VAC)
6 VDC 50 & 75 W Nickel Cadmium, 12 VDC 50 W Nickel Cadmium: 0.19 A (120 VAC), 0.084 A (277 VAC)
12 VDC 75 & 100 W Nickel Cadmium: 0.29 A (120 VAC), 0.14 A (277 VAC)
12 VDC 125 & 150 W Nickel Cadmium: 0.39 A (120 VAC), 0.18 A (277 VAC)

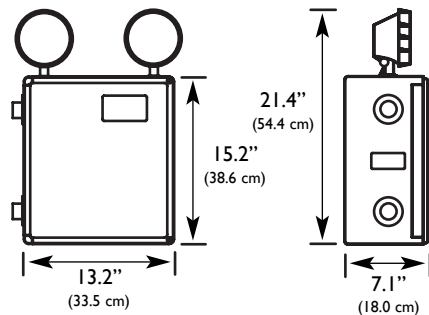
operating temperature range

Standard Location: 65°F (19°C) to 85°F (30°C)

warranty

Electronics - three years full
Lead Calcium - one year full, four years pro-rata; Nickel Cadmium Battery - five years full, five years pro-rata

dimensions



ordering information

SERIES/BATTERY		LAMP HEADS		HEADS	SC	OPTIONS ¹
6 Volt Sealed Lead Calcium GC25 = 25 Watt Unit GC50 = 50 Watt Unit Sealed Nickel Cadmium GN25 = 25 Watt Unit GN50 = 50 Watt Unit GN75 = 75 Watt Unit	12 Volt Sealed Lead Calcium GTC25 = 25 Watt Unit GTC50 = 50 Watt Unit GTC100 = 100 Watt Unit GTC125 = 125 Watt Unit Sealed Nickel Cadmium GTN25 = 25 Watt Unit GTN50 = 50 Watt Unit GTN75 = 75 Watt Unit GTN100 = 100 Watt Unit GTN125 = 125 Watt Unit GTN150 = 150 Watt Unit	6 VDC Tungsten XA = 8 Watt XB = 18 Watt XC = 25 Watt 6 VDC Halogen XI = 8 Watt XJ = 12 Watt	12 VDC Tungsten XE = 12 Watt XF = 18 Watt XG = 25 Watt 12 VDC Halogen XK = 8 Watt XL = 12 Watt	3 = Three 2 = Two 1 = One Blank = No Heads	SC = Smart Charger Diagnostics	A = Ammeter EX = Special Input Transformer (specify voltage & frequency) T = Self-Testing Diagnostics TA = Audible Self-Testing Diagnostics TD = Time Delay, 15 Minutes V = Voltmeter
Note: 1) Some option combinations may impact UL listing. Consult factory for specifics.					ACCESSORIES (Order As A Separate Line Item) SCIR = Smart Charger Infra-Red Remote WG = Wire Guard	

hazardous lighting

Guard-Lite Series

Class I & II, Division 2
hazardous location exit



hazardous lighting

features

- 120/277 VAC, 60 Hz dual voltage input, AC only and self-powered models
- Maintenance-free, sealed nickel cadmium battery
- Constructed of impact-resistant, fiberglass-reinforced polyester
- Exit illumination is accomplished with energy-efficient, long-lasting, high-intensity LEDs that offer even illumination
- Suitable for use in Class I, Division 2, Groups A, B, C & D; Class I, Zone 2, Groups IIA, IIB (+ H₂) & IIC; and Class II, Division 2, Groups F & G hazardous location areas
- Offers several levels of protection against the elements including dust, dirt, and water
- Standard Smart Charger self-diagnostics, self-testing is optional on self-powered models (see page 77 for Smart Charger features)
- UL 924 and 844 listed, Temperature Rating (T-Rating) 160° (T3C), IEC 61951-I Life Testing (batteries)
- Class I, Zone 2 T-Rating 200° (T3)
- NFPA 101, NEC, BOCA, OSHA and IBC illumination standards

electrical specifications

- AC Only Red or Green: 0.032 A (120 VAC), PF = 0.95
0.014 A (277 VAC), PF = 0.88
- Self-Powered Red or Green: 0.048 A (120 VAC), PF = 0.90
0.023 A (277 VAC), PF = 0.90

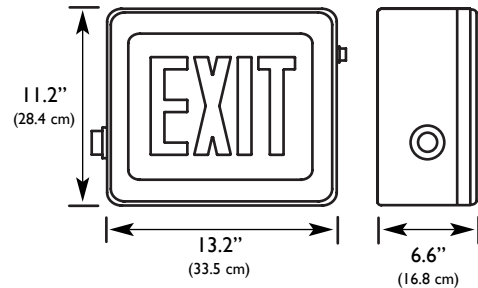
operating temperature range

Standard Location: 65°F (19°C) to 85°F (30°C)

warranty

Electronics - five years full; Battery - five years full, five years pro-rata

dimensions



ordering information

GX		SC		
SERIES	BATTERY	LETTER COLOR	MODEL DES. ¹	OPTIONS ²
GX = Hazardous Location LED Exit	N = Nickel Cadmium A = AC Only	R = Red G = Green	SC = Smart Charger Diagnostics	BF = Buzzer/Flasher (self-powered models only) BZ = Buzzer (self-powered models only) EX = Special Input Transformer ² (specify voltage & frequency) FA = Fire Alarm Activated Flasher FL = Flasher (self-powered models only) T = Self-Testing Diagnostics (non-audible, self-powered models only) TA = Audible Self-Testing Diagnostics (self-powered models only)
ACCESSORIES SCIR = Smart Charger Infra-Red Remote WG5 = Wire Guard			NOTE: 1) For self-testing models refer to options. 2) Some option combinations may impact UL listing. Consult factory for specifics.	

Guard-Lite Series

Class I & II, Division 2
hazardous location combination exit



features

- 120/277 VAC, 60 Hz dual voltage input
- Maintenance-free, sealed lead calcium battery
- Constructed of impact-resistant, fiberglass-reinforced polyester
- Accommodates two top-mounted lamp heads
- Exit illumination is accomplished with energy-efficient, long-lasting, high-intensity LEDs that offer even illumination
- Suitable for use in Class I, Division 2, Groups A, B, C & D; Class I, Zone 2, Groups IIA, IIB (+ H₂) & IIC; and Class II, Division 2, Groups F & G hazardous location areas
- Offers several levels of protection against the elements including dust, dirt, and water
- Standard Smart Charger self-diagnostics, self-testing is optional on self-powered models (see page 77 for Smart Charger features)
- UL 924 and 844 listed, Temperature Rating (T-Rating) 160° (T3C)
- Class I, Zone 2 T-Rating 200° (T3)
- NFPA 101, NEC, BOCA, OSHA and IBC illumination standards

electrical specifications

- 6 V 18 W Red or Green: 0.133 A (120 VAC) PF = 0.80, 0.058 A (277 VAC) PF = 0.80
- 6 V 36 W Red or Green: 0.122 A (120 VAC) PF = 0.70, 0.053 A (277 VAC) PF = 0.70
- 6 V 72 W Red or Green: 0.129 A (120 VAC) PF = 0.80, 0.056 A (277 VAC) PF = 0.80

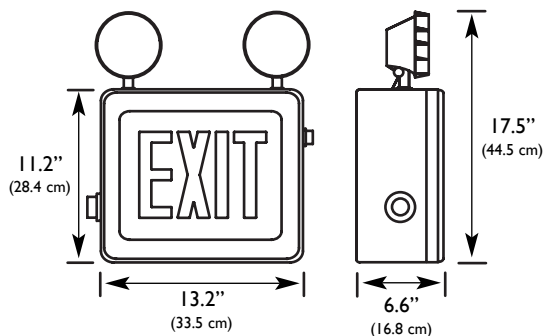
operating temperature range

Standard Location: 65°F (19°C) to 85°F (30°C)

warranty

Electronics - five years full; Battery - one year full, four years pro-rata

dimensions



ordering information

GX	6					SC	
SERIES	VOLTAGE	BATTERY ³	LETTER	# OF LAMPS	LAMP TYPE	MODEL DES. ¹	OPTIONS ²
GX = Hazardous Location LED Exit	6 = 6 VDC	Lead Calcium 18 = 18 W 36 = 36 W 72 = 72 W	R = Red G = Green	Blank = No Heads 1 = One Head 2 = Two Heads	Tungsten XA = 8 W XB = 18 W XC = 25 W Halogen XY = 6 W XI = 8 W XJ = 12 W	SC = Smart Charger Diagnostics	BF = Buzzer/Flasher (self-powered models only) BZ = Buzzer (self-powered models only) EX = Special Input Transformer ² (specify voltage & frequency) FA = Fire Alarm Activated Flasher FL = Flasher (self-powered models only) S = Shatterproof Lamp Head Lens T = Self-Testing Diagnostics (non-audible, self-powered models only) TA = Audible Self-Testing Diagnostics (self-powered models only) TD = Time Delay
ACCESSORIES SCIR = Smart Charger Infra-Red Remote WG5 = Wire Guard			NOTE: 1) For self-testing models refer to options. 2) Some option combinations may impact UL listing. Consult factory for specifics. 3) Battery capacity to support local/remote load.				

hazardous lighting

ESBS Series

Class I, II, & III, Division I
explosion-proof emergency power unit



hazardous lighting

features

- 120/277 VAC dual voltage input
- Maintenance-free, sealed nickel cadmium or pure lead battery
- Copper-free cast aluminum enclosure designed to withstand the pressure of explosions generated by internal arc without propagating them into the hazardous atmosphere
- ESBSPN14 power pack operates 7 watt compact fluorescent hazardous fixtures in both AC and emergency modes
- ESBS30, ESBS50 and ESBS100 power units operate 6 volt and 12 volt incandescent hazardous fixtures in emergency mode only
- Suitable for use in Class I, Division 1, Groups C & D, Zone 0, 1 & 2, Groups IIA, IIB + H₂ & IIC; Class I, Division 2, Groups C & D, Zone 2, Groups IIA, IIB + H₂ & IIC; Class II, Division 1, Groups E, F & G; Class II, Division 2, Groups F & G; Class III hazardous location areas
- UL 924, 844, 1203 and 1604 listed
- NFPA 101, NEC, BOCA, OSHA and IBC illumination standards

electrical specifications

Input power requirements: 0.50 A (120 VAC), 0.22 A (277 VAC)

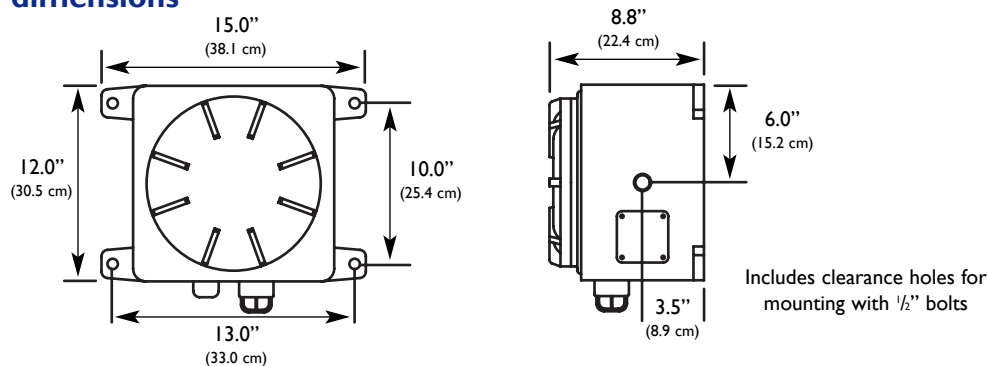
operating temperature range

Pure Lead Units: 65°F (19°C) to 85°F (30°C), Nickel Cadmium Units: 20°F (-7°C) to 95°F (35°C)

warranty

- Electronics - three years full
- Pure Lead Battery - one year full, four years pro-rata; Nickel Cadmium Battery - five years full, five years pro-rata

dimensions



ordering information

SERIES	OPTIONS
6 Volt, Nickel Cadmium ESBS30 = 28 Watt Power Pack, Incandescent Lamp Operation, Emergency Operation Only ² ESBSPN14 = 14 Watt Power Pack, Compact Fluorescent Lamp Operation, AC & Emergency Operation ¹	EX = Special Input Transformer (specify voltage & frequency) TD1 = 120 VAC Time Delay ⁴ TD2 = 277 VAC Time Delay ⁴
6 Volt, Pure Lead ESBS100 = 85 Watt Power Pack, Incandescent Lamp Operation, Emergency Operation Only ²	
12 Volt, Nickel Cadmium ESBS50 = 50 Watt Power Pack, Incandescent Lamp Operation, Emergency Operation Only ³	
Note: 1) For "Normally On", use exclusively with HAZWP7, HAZCP7, and HAZPP7 remotes. Maximum remote distance is 8 feet. 2) For "Normally Off", use exclusively with HAZ Series 6VDC remotes. 3) For "Normally Off", use exclusively with HAZ Series 12VDC remotes. 4) 15 minute delay.	

Explosion Proof Lighting Fixtures

hazardous location, remote emergency lighting fixtures for use with ESBS series



features

- Illumination is accomplished with halogen incandescent or compact fluorescent lamps protected with a high-impact, heat-resistant globe and cast aluminum globe guard
- Compatible with medium base incandescent or 13 watt compact fluorescent lamps for non-emergency application
- Copper-free, cast aluminum enclosure designed to withstand the pressure of explosions generated by internal arc without propagating them into the hazardous atmosphere
- Wall, ceiling or pendant mount, optional exit accessory
- Suitable for use in Class I, Div. 1 & 2, Groups C & D; Class I, Zone 1 & 2, Groups IIB & IIA; Class II, Div. 1 & 2, Groups E, F & G; Class III, Div. 1 & 2 hazardous location areas
- Temperature performance rating T6 (maximum ambient temperature 160°)
- UL listed to 924 and 844
- NEMA 3, 4, 4X, suitable for Wet Locations
- NFPA 70, NFPA 101, NEC, BOCA, OSHA and IBC illumination standards

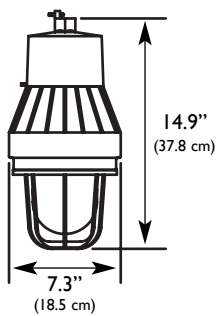
hazardous lighting

warranty

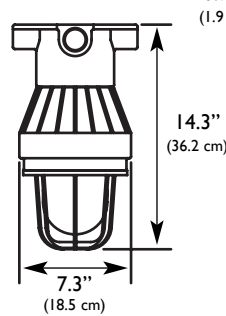
Three years full

dimensions

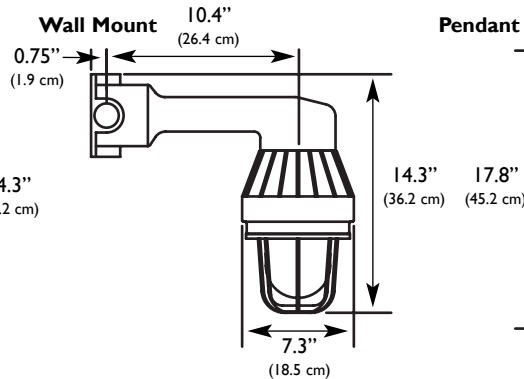
Pendant Mount



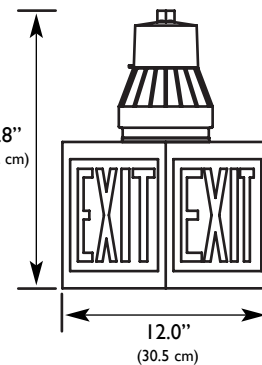
Ceiling Mount



Wall Mount



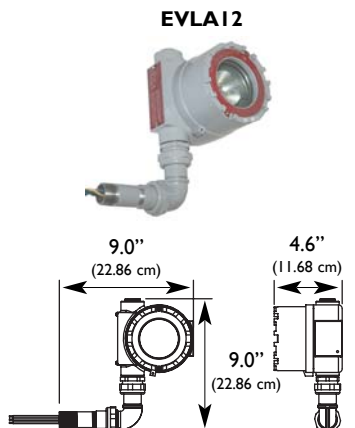
Pendant Mount with Optional Exit Accessory



ordering information

HAZ			
SERIES	MOUNTING	LAMP WATTAGE	VOLTAGE ¹
HAZ = Hazardous Fixture	P = Pendant C = Ceiling W = Wall	AC Only Non-Emergency Blank = Incandescent P13 = 13W Compact Fluorescent P26 = (2) 13W Compact Fluorescent Emergency Only Incandescent 76 = 6V, 7W Halogen 106 = 6V, 10W Halogen 126 = 6V, 12W Halogen 1212 = 12V, 12W Halogen AC/Emergency Compact Fluorescent P7 = 7W Compact Fluorescent ²	AC Only Incandescent Blank = AC Only Compact Fluorescent 120 = 120 VAC 277 = 277 VAC
ACCESSORIES (Ordered Separately) AR = 25° Angle Dome Reflector EFK = Exit Accessory Kit (red letter only) OB3 = 3-Way Explosion Proof 3/4" Conduit Hub SDR = Straight Dome Reflector SEA = Swivel Elbow Arm for Use with Pendant Mount Fixture to Connect to OB3 or ESBS Unit			
Note: 1) Voltage designation required only for non-emergency luminaires utilizing compact fluorescent lamps (not included). Incandescent, non-emergency models use (1) 150W A19 lamp (not included). 2) For "Normally On" use exclusively with ESBSPN14 Emergency Power Unit. Maximum remote mount distance is 8 feet.			

EVLA12
SERIES
EVLA12 = 12V, 12W Directional Head



Explosion Proof Self-Contained Emergency Lighting



wall, ceiling or pendant mount hazardous location



hazardous lighting

features

- 120/277 VAC dual voltage input
- Copper-free, cast aluminum enclosure designed to withstand the pressure of explosions generated by internal arc without propagating them into the hazardous atmosphere
- Includes four maintenance-free, lead calcium batteries to provide 12 VDC output of 60 watts for 90 minutes
- Each high-intensity lamp can be independently adjusted to provide custom emergency lighting to a specific area
- Suitable for use in Class I, Division 1, Groups C & D, Zone 0, 1 & 2, Groups IIA, IIB + H₂ & IIC; Class I, Division 2, Groups C & D, Zone 2, Groups IIA, IIB + H₂ & IIC; Class II, Division 1, Groups E, F & G; Class II, Division 2, Groups F & G; Class III hazardous location areas
- UL listed to 924 and 844
- NEMA rated 7CD and 9EFG areas
- Temperature performance rating T6 - Class I, T5 - Class II (max. ambient temperature 160°)
- NFPA 70, NFPA 101, NEC, BOCA, OSHA and IBC illumination standards

electrical specifications

Input power requirements: 0.50 A (120 VAC), 0.22 A (277 VAC)

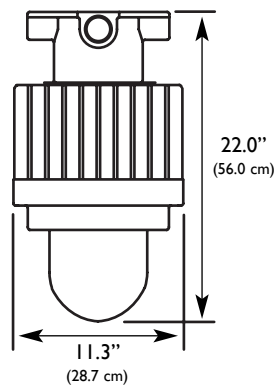
operating temperature range

Lead Calcium Units: 65°F (19°C) to 85°F (30°C)

warranty

Electronics - three years full; Battery - one year full, four years pro-rata

dimensions



ordering information

HAZ		6012
SERIES	MOUNTING CONFIGURATION	LAMP WATTAGE/VOLTAGE
HAZ = HAZ Series	P = Pendant C = Ceiling W = Wall	6012 = (3) 12V, 20W Halogen
		ACCESSORIES (Ordered Separately) EFK = Exit Accessory Kit (red letter only)

LEX Series

hazardous location edge-lit exit sign



hazardous lighting

features

120/277 VAC, 60 Hz dual voltage input, AC only and self-powered models
 Copper-free, cast aluminum enclosure designed to withstand the pressure of explosions generated by internal arc without propagating them into the hazardous atmosphere
 Normal and emergency illumination is accomplished with energy-efficient, long-lasting, high-intensity LEDs that offer even illumination
 Red or green lettering on a single or double face acrylic panel; wall/pendant or end mount configurations
 Suitable for use in Class I, Div. 1, Groups C & D; Class I, Div. 2, Groups A, B, C & D; Class II, Div. 1 & 2, Groups E, F & G; and Class III, Zone 1, Groups IIA & IIB; Class I, Zone 2, Groups IIA, IIB, + H₂ & IIC hazardous location areas
 UL 924 and 844 listed, UL 1598/A Marine rated, IP65
 Temperature Class (T-Rating)-T6
 NFPA 101, NEC, BOCA, OSHA and IBC illumination standards

electrical specifications

AC-Only Red: 0.012 amps (120 VAC), 0.005 amps (277 VAC)
 AC-Only Green: 0.019 amps (120 VAC), 0.008 amps (277 VAC)
 Self-Powered Red: 0.020 amps (120 VAC), 0.009 amps (277 VAC)
 Self-Powered Green: 0.025 amps (120 VAC), 0.011 amps (277 VAC)

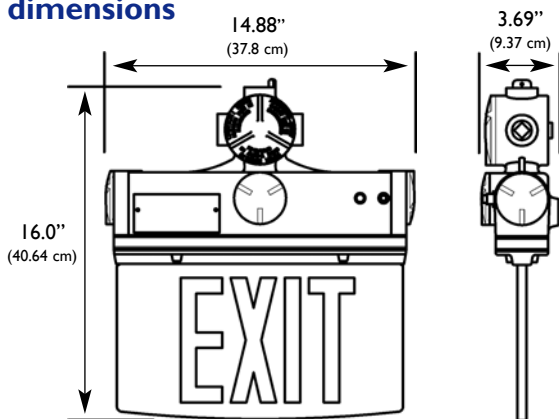
operating temperature range

50°F (10°C) to 104°F (40°C)

warranty

Electronics - five years full; Battery - five years full, five years pro-rata

dimensions



ordering information

LEX				
SERIES	MODE OF OPERATION	# OF FACES	LEGEND COLOR	MOUNTING CONFIGURATION
LEX = Class I, Div I LED Exit Sign	A = AC Only N = Self-Powered	1 = Single Face 2 = Double Face	R = Red G = Green	WPM = Wall/Pendant Mount EMB = End-Mount Bracket

DP Series

dust-proof lighting fixtures for remote or emergency lighting applications



hazardous lighting

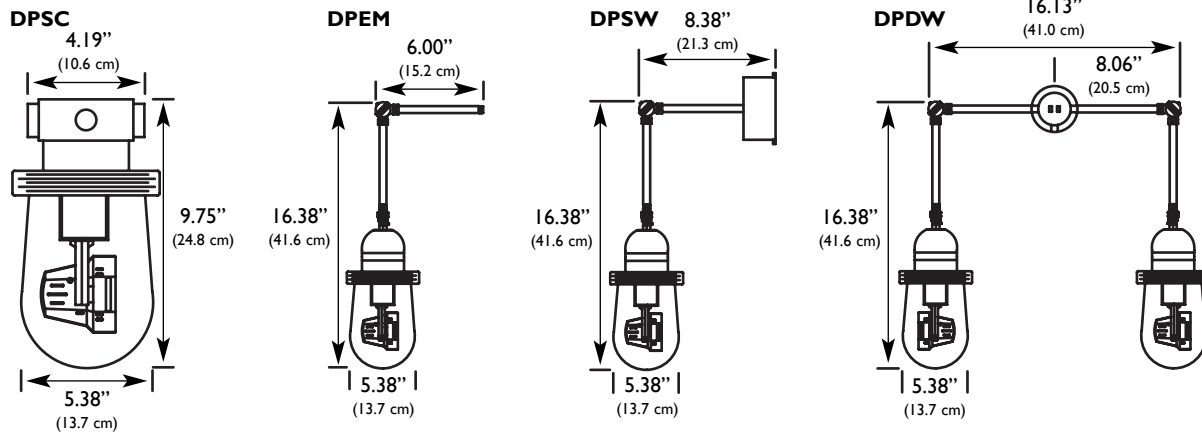
features

- Available in 6 VDC, 12 VDC or 120 VAC voltage configurations
- 120 VAC configuration is ideal when using an AC inverter/UPS emergency lighting system
- Constructed of corrosion-resistant, cast aluminum alloy with an epoxy polyester finish
- Illumination is accomplished with halogen or incandescent lamps that are adjustable to 360°
- DPEM1(2) fixture is designed for direct mounting to the ESBS battery unit (ESBS unit not included)
- Suitable for use in Class II, Division 1 & 2, Groups E, F & G and Class III areas
- UL file card U522R
- Temperature performance rating is T3B
- Supply wire rating 150°C

warranty

Electronics - three years full

dimensions



ordering information

DP			
SERIES	FIXTURE TYPE	VOLTAGE	OPTIONS
DP = Dust-Proof Fixture	SC = Ceiling Mount EM = End Mount SW = Single Wall Remote DW = Double Wall Remote	1 = 6 VDC, 12W ² 2 = 12 VDC, 12W ² 3 = 120 VAC ¹	WGG = Wire Guard for Globe Only
Note: 1) Uses (1) 150W A19 medium base lamp (not included). 2) Uses (1) 6 OR 12 VDC, 12W halogen lamp (included).			