

# Wet Lok

wet/damp location and harsh environment LED exit sign



## features

- 120/277 VAC, 60 Hz dual voltage input, AC only and self-powered models
- Die-cast aluminum housing with premium, impact-resistant, injection molded, polycarbonate covers
- Stamped stencil face with field-selectable chevrons, standard vandal resistant/anti-corrosion coated hardware
- Maintenance-free, sealed nickel cadmium battery (battery option)
- Standard Smart Charger diagnostics with advanced self-testing diagnostics (see page 77 for Smart Charger features)
- Normal and emergency illumination is accomplished with energy-efficient, long-lasting, high-intensity LEDs that offer even illumination
- UL 924 listed, UL listed for Wet/Damp Locations standard
- Certified to the California Energy Commission in accordance with California law
- NFPA 101, NEC, BOCA, OSHA and IBC illumination standards, meets ADA specifications for wall mounted lighting fixtures

## electrical specifications

AC Only Red: 3.8 watts (120 VAC), PF = 0.96	Self-Powered Red: 4.7 watts (120 VAC), PF = 0.95
3.8 watts (277 VAC), PF = 0.91	4.8 watts (277 VAC), PF = 0.97
AC Only Green: 4.0 watts (120 VAC), PF = 0.95	Self-Powered Green: 4.7 watts (120 VAC), PF = 0.95
4.0 watts (277 VAC), PF = 0.90	4.7 watts (277 VAC), PF = 0.99

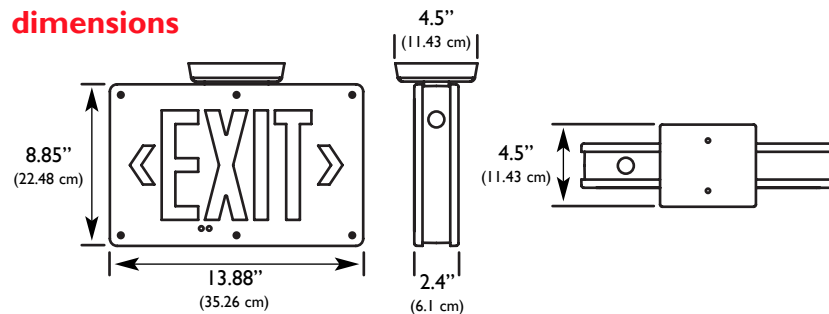
## operating temperature range

Wet/Damp Location: -40°F (-40°C) to 113°F (45°C)

## warranty

Electronics - five years full; Battery - five years full, five years pro-rata

## dimensions



## ordering information

W	L					SCT		
SERIES	LAMP	BATTERY	FACE	LETTER	FACE/HOUSING COLOR	MODEL DES.	OPTIONS	
W = Wet Lok	L = LED	A = AC Only N = Nickel Cadmium	I = Single U = Universal Single/Double Face	R = Red G = Green	W = White Stencil & Housing B = Black Stencil & Housing G = Gray Stencil & Housing WA = White Housing & Brushed Aluminum Stencil BA = Black Housing & Brushed Aluminum Stencil GA = Gray Housing & Brushed Aluminum Stencil	SCT= Smart Charger Self-Testing Diagnostic Electronics	A = Audible Diagnostics BF = Buzzer/Flasher (self-powered units only) BZ = DC Buzzer DC = 12-48 VDC Input (AC only models) EX = Special Input Transformer <sup>1</sup> (consult factory) FA = 24 VDC Fire Alarm Interface FL = Flasher (self-powered units only) PM = Pendant Mount Only <sup>2</sup> (must order pendant kit accessory) SW = Special Wording (consult factory) 2CKT1 = 120 VAC Two Circuit (AC only models) 2CKT2 = 277 VAC Two Circuit (AC only models)	
<b>ACCESSORIES</b> (Ordered Separately) SCIR = Smart Charger Infra-Red Remote T15TPTOOL = Tamperproof Screwdriver WPKITB = Pendant Kit, 12" Stem, Black WPKITW = Pendant Kit, 12" Stem, White					Note: 1) Some options may impact UL listing. Consult factory for specifics. 2) Must specify "PM" option for compatibility with pendant kit.			

exit signs - outdoor

# Self-Luminous Series

tritium exit sign that operates without external power



exit signs - outdoor

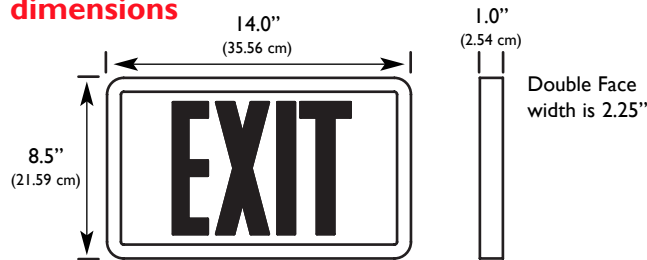
## features

- No external power source required, no maintenance costs
- Illumination is accomplished with borosilicate glass-sealed tubes internally coated with zinc sulfide phosphor and filled with tritium gas
- Illumination level will exceed the .15 foot Lambert minimum for the entire service life
- Lifetime of 10, 15 or 20 years
- Attractive ABS flame retardant housing comes standard with a gray frame (black, white or aluminum frames are optional)
- Solves unique installation problems quickly and reliably
- UL 924 listed
- NFPA 101, NEC (Article 500, Class I & II conditions), BOCA, OSHA and IBC illumination standards
- State of California, City of Los Angeles compliance
- USNRC, meets ICBO and SBCCI requirements

## warranty

Choice of 10, 15 or 20 years

## dimensions



## ordering information

L3		U				
SERIES	FACE COLOR	ARROW	USEFUL LIFE	# OF FACES	OPTIONS	
L3 = Tritium Exit	R = Red G = Green	U = Universal	10 = 10 Years 15 = 15 Years 20 = 20 Years	S = Single D = Double	AF = Aluminum Frame BK = Black Plastic Frame IF1 = Black Anodized Aluminum Vandal Resistant Frame <sup>1</sup> IF5 = Brushed Aluminum Vandal Resistant Frame <sup>1</sup> PW = Polycarbonate Lens <sup>1</sup> WH = White Plastic Frame	
<b>ACCESSORIES</b> (Ordered Separately) PKITTRB = 12" Pendant Kit, Black Plastic PKITTRG = 12" Pendant Kit, Gray Plastic PKITTRW = 12" Pendant Kit, White Plastic PKITTRAL = 12" Pendant Kit, Aluminum TPC-B = Mounting Canopy, Black TPC-G = Mounting Canopy, Gray TPC-W = Mounting Canopy, White TDRBRKT = Mounting Canopy, Single/Double Face, Aluminum					Note: 1) Available on single face exits only.	

# NX Series

harsh environment exit and exit combination  
NEMA 3, 3r, 4, 4x, 12 and 13 classifications



## features

- 120/277 VAC, 60 Hz dual voltage input
- Maintenance-free, sealed lead calcium
- Watertight enclosure constructed of fiberglass-reinforced polyester with a clear polycarbonate cover
- Two head combination exit/emergency unit features fully adjustable 6 volt, 6 watt, Par 36 halogen sealed beam lamp heads that are enclosed in watertight polycarbonate housings
- Exit illumination is accomplished with energy-efficient, long-lasting, high-intensity LEDs that offer even illumination
- UL 924 listed, UL Damp and Wet Location listing optional
- NFPA 70, NFPA 101, NEC, BOCA, OSHA and IBC illumination standards
- NSF standard Class 2 "Splash Zone" listed

## electrical specifications

Exit Combination: 0.161 A (120 VAC), 0.07 A (277 VAC)

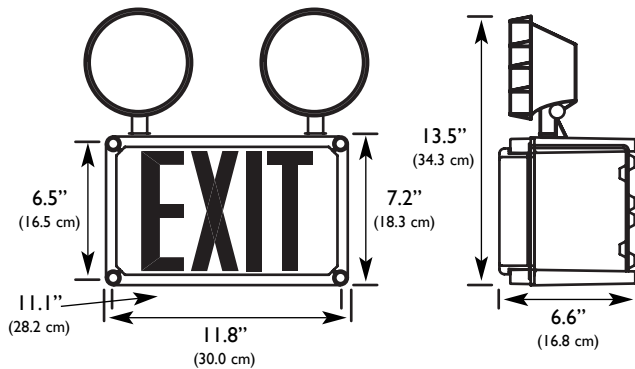
## operating temperature range

Standard Location: 65°F (19°C) to 85°F (30°C), Wet/Damp Location: -22°F (-30°C) to 104°F (40°C)

## warranty

Electronics - three years full; Battery - one year full, four years pro-rata

## dimensions



## ordering information

NX	2H	L		
SERIES	POWER REQUIREMENTS	LAMP TYPE	FACE COLOR	OPTIONS <sup>1</sup>
NX = NX Series	2H = Combination Exit/Emergency, Lead Calcium	L = LED	R = Red LEDs G = Green LEDs	EX = Special Input Transformer F = 24 VDC Fire Alarm Interface FL = Emergency Flasher S = Shatter Resistant Lamp Head Lens TP = Tamperproof Lockup <sup>2</sup> W = UL Wet Location Listing Z = UL Damp Location Listing
Note: 1) Some option combinations may impact UL listing. Consult factory for specifics. 2) Includes tamperproof hardware and bit.		<b>ACCESSORIES</b> (Ordered Separately) EMF = External Mounting Feet		

exit signs - outdoor