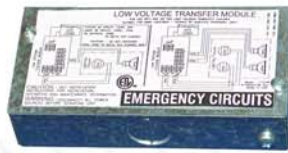


DLTC

transfer circuit for use with low-voltage down-lighting



features

- Two channel device providing switching for up to 75 watts per channel
- Combines existing low-voltage lighting with a 12 volt emergency unit power pack, such as LightGuard's LPM (sold separately)
- Transfer function occurs independent of wall switch position
- During utility power failure, DLTC allows the 12 volt emergency power unit to supply power directly to the lamps of the low voltage lighting fixture
- Housing and cover are constructed of 20 gauge galvanized steel
- Listed for insulated ceiling systems (IC rated)
- Damp Location listed
- ETL listed to UL 924 standards

electrical specifications

- Input: 12 VAC, 0.72 watts
- Output: 12 VDC, 2 channels at 75 watts maximum each

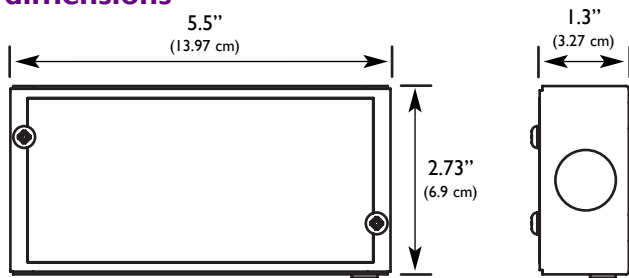
operating temperature range

Damp Location: 32°F (0°C) to 122°F (50°C)

warranty

Three years full

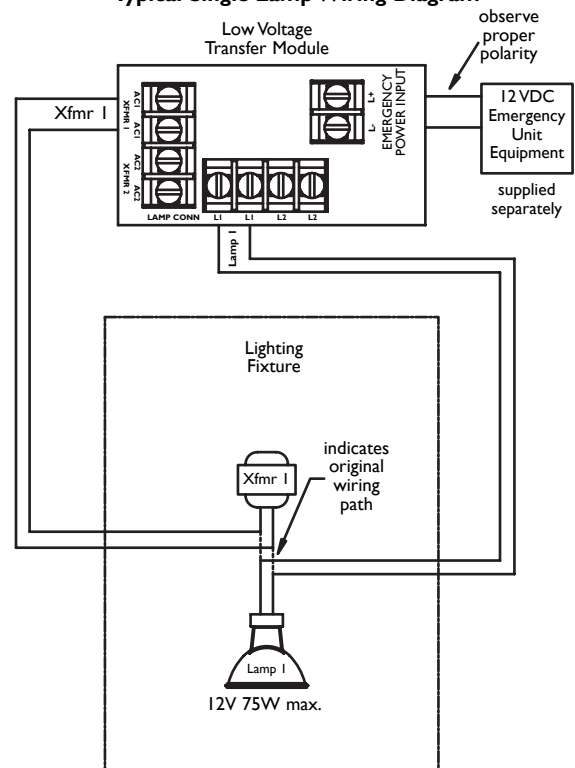
dimensions



ordering information

DLTC
SERIES
DLTC = Down-Lighting Transfer Circuit

Typical Single Lamp Wiring Diagram



FLTC

fluorescent lighting transfer circuit that is generator or inverter compatible



lighting controls

features

- 120/277 VAC, 60 Hz dual voltage input with all inputs fused to 3 amps
- Transfers generator or AC systems power to AC fluorescent lighting ballasts in the event of a utility power failure
- Transfer function occurs independent of wall switch position
- One FLTC device is required per lighting fixture
- Suitable for use in sealed and gasketed luminaires
- Housing and cover constructed of 24 gauge galvanized steel
- Low-profile housing allows mounting in most low profile fluorescent fixtures with low-profile AC ballast
- Wire end caps provided
- UL 924 listed, UL Damp Location listing
- NFPA 101, NEC, BOCA, OSHA and IBC illumination standards

electrical specifications

Input power requirements: 0.27 mA (120/277 VAC), 1.48 watts

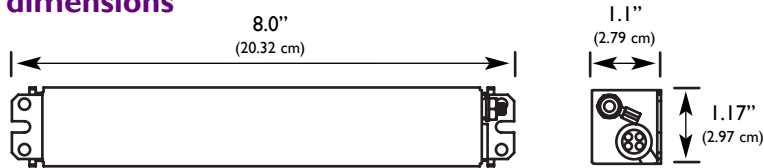
operating temperature range

Damp Location: 32°F (0°C) to 131°F (55°C)

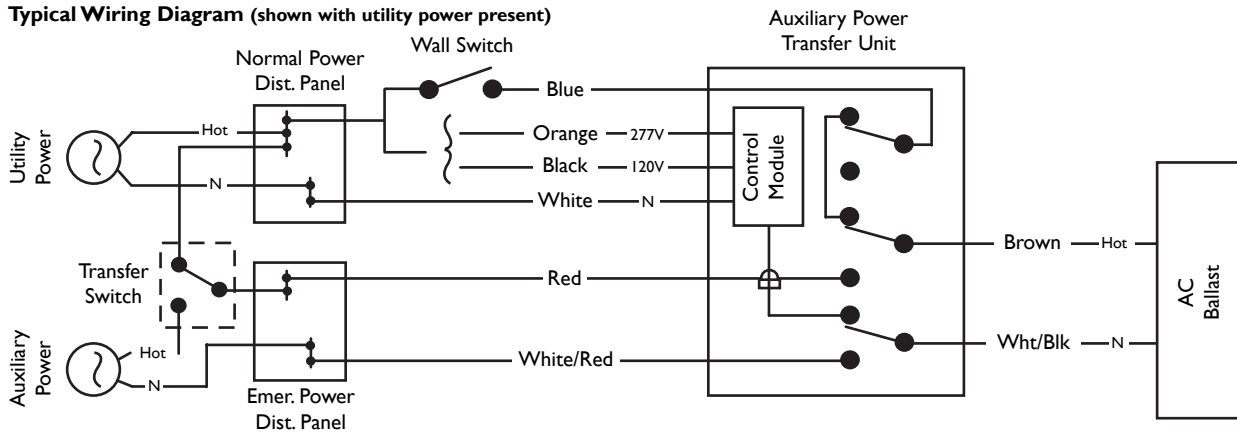
warranty

Five years full

dimensions



Typical Wiring Diagram (shown with utility power present)



ordering information

FLTC
SERIES
FLTC = Fluorescent Lighting Transfer Circuit

Centaurus Linebacker

100 or 250 watt interruptible power supply for emergency lighting applications



features

- 120 or 277 VAC, 60 Hz dual voltage input and output
- Maintenance-free, sealed lead calcium batteries, minimum 90 minutes of emergency operation, 91% nominal lumen output from luminaire
- Square wave output, completely solid-state inverter, low-voltage disconnect, brownout protection is 75% of nominal line voltage, DC overload, and short circuit protection
- Normally on and/or normally off loads, variable rate, fully automatic, temperature compensated charger
- Operates incandescent, fluorescent, and LED lighting loads and is compatible with dimming ballasts
- NEMA 1 enclosure, heavy duty steel cabinet with with multiple conduit entries
- Surface, recess, and ceiling grid mounting options
- UL 924 listed, meets NFPA 101, NEC, BOCA, OSHA and state and local codes, optional self-diagnostics

electrical specifications

Input Power Requirements
 100 Watt Models: 0.198 A (120 VAC), 0.080 A (277 VAC)
 250 Watt Models: 0.570 A (120 VAC), 0.268 A (277 VAC)

operating temperature range

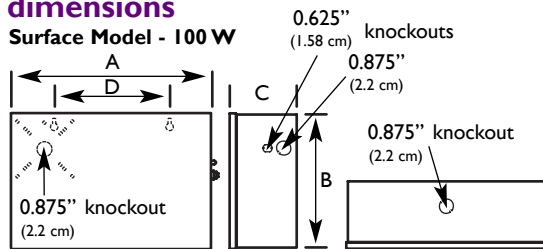
68°F (20°C) to 86°F (30°C)

warranty

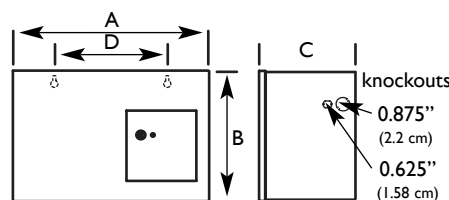
Electronics - three years; Battery - one year full, four years pro-rata

dimensions

Surface Model - 100 W

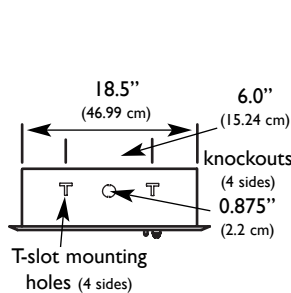
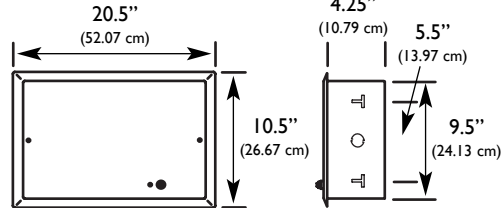


Surface Model - 250 W

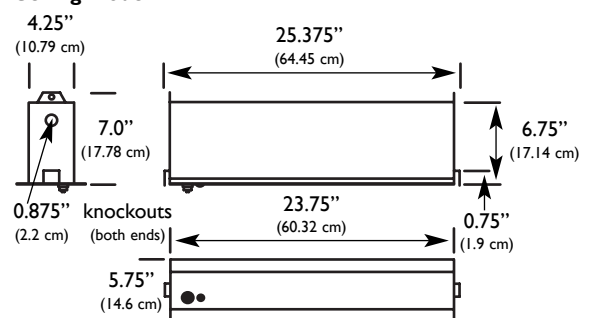


Model	100 W	250 W
A	18.625"	18.625"
B	9.625"	10.125"
C	4.375"	8.25"
D	14.5"	13.0"

Recessed Model



Ceiling Model



ordering information

LB			
SERIES	OUTPUT WATTAGE	MOUNTING CONFIGURATION	OPTIONS
LB = Centaurus Linebacker	100 = 100 Watts 250 = 250 Watts*	T = Ceiling Installation S = Surface Wall Mount R = Recessed Wall Mount	OT = Self-Diagnostics TD1 = 120V 15 Minute Time Delay TD2 = 277V 15 Minute Time Delay SP = Special Paint (consult factory)
ACCESSORIES (Ordered Separately) LBRT = Remote Test Switch	*Available in surface mount only.		

lighting controls

Centaurus Linebacker

300 to 600 watt fast transfer power supply for emergency lighting applications



lighting controls

features

- 120 or 277 VAC, 60 Hz dual voltage input and output
- Maintenance-free, sealed lead calcium batteries, minimum 90 minutes of emergency operation, pulse width modulated design (PWM), 98% throughput efficiency
- Input circuit breaker, solid state PWM inverter with sine wave output, output fusing standard, output circuit breakers optional
- Low-voltage disconnect, fully automatic, temperature compensated, solid-state charging system
- Operates incandescent, electronic ballast loads, HID, and LED lighting loads as well as critical loads requiring conditioned emergency power
- NEMA 1 enclosure, durable powder coat finish with multiple conduit entries
- UL 924 listed, meets NFPA 101, NEC, BOCA, OSHA and state and local codes

operating temperature range

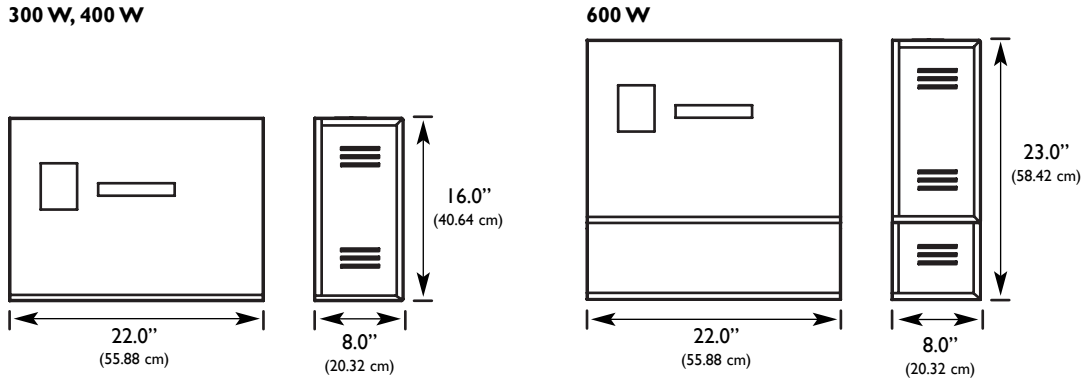
68°F (20°C) to 85°F (30°C)

warranty

Electronics - three years; Battery - one year full, four years pro-rata

dimensions

300 W, 400 W



ordering information

LB					
SERIES	OUTPUT WATTAGE	VOLTAGE CONFIG.	FACTORY INSTALLED OPTIONAL CIRCUIT BREAKER		
LB = Centaurus Linebacker	300 = 330 VA / 300 Watts 400 = 660 VA / 400 Watts 600 = 660 VA / 600 Watts	120 = 120V 277 = 277V	OUTPUT CIRCUIT BREAKERS 1 = OCB1 2 = OCB2	OUTPUT CIRCUIT BREAKER VOLTAGE* A = 120 VAC R = 277 VAC * Output circuit breaker voltage must match the system input voltage.	OUTPUT CIRCUIT BREAKER RATING 10 = 10 Amps 15 = 15 Amps 20 = 20 Amps

NightWatch Power Supply

system for low-voltage normal and emergency power



features

- Provides continuous low-voltage normal power and emergency power to support 12 VAC NightWatch luminaires
- Maintenance-free, sealed lead calcium battery
- Electronics consists of three sections to include a fully automatic battery charging system, output transformer and a power failure sensing control circuit that automatically routes battery power to NightWatch luminaires in the event of a power failure
- Constructed of 18 gauge die-formed steel and has an easily removable front cover
- Top and side knockouts conveniently located to route output circuits or to hardwire the input power
- Designed for wall mounting and is provided with keyhole slots on the back for ease of installation
- Provided with two pre-wired, three foot cord and plug sets
- ETL listed to UL 924 standards

electrical specifications

- Input: 120 VAC, 60 Hz, 1.9 A
- Normal Output: 12 VAC, 60 Hz, 150 VA/150 W
- Emergency Output: 12 VDC, 150 W via two 75 W circuits

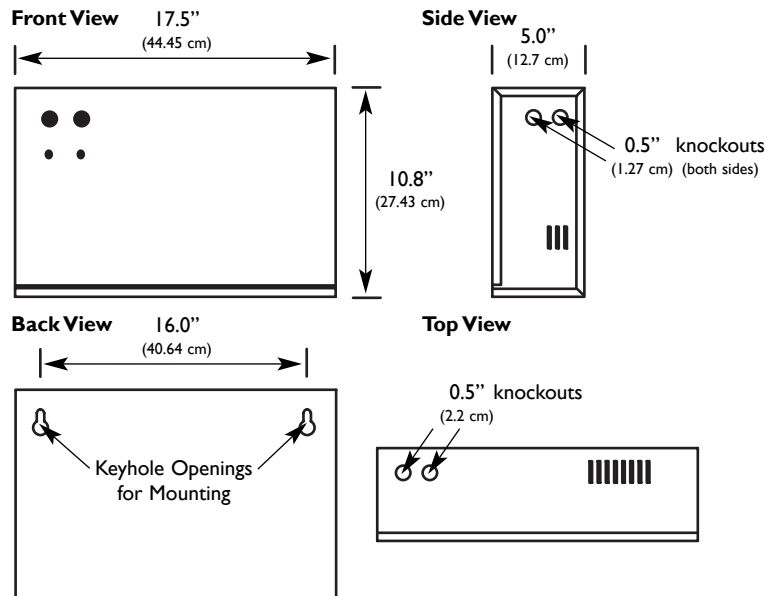
operating temperature range

65°F (19°C) to 85°F (30°C)

warranty

Electronics - three years; Battery - one year full, four years pro-rata

dimensions



ordering information

NWPSI
SERIES
NWPSI = NightWatch Power System

lighting controls