

FL2-FL3

decorative emergency lighting



features

- 120/277 VAC, 60 Hz dual voltage input
- 6 volt, 11 or 17 watt units
- Maintenance-free, sealed lead calcium battery
- 6 watt remote capability with FL3 unit
- Two fully-adjustable, polycarbonate, 5.4 watt T-5 lamp heads
- Labor-saving, snap-together design eases installation
- Surface wall or ceiling installation
- Impact-resistant UL 94 V-0, 5 VA thermoplastic (completely self-contained)
- White housing is standard with black housing option available
- Optional self-diagnostics
- UL 924 listed, UL Damp Location listing standard
- NFPA 101, NEC, BOCA, OSHA and IBC illumination standards

electrical specifications

Input power requirements: 0.045 A (120 VAC), 0.020 A (277 VAC)

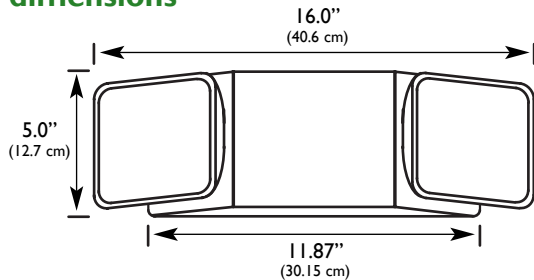
operating temperature range

Damp Location: 68°F (20°C) to 104°F (40°C)

warranty

Electronics - three years full; Battery - one year full, four years pro-rata

dimensions



ordering information

SERIES	HOUSING COLOR	OPTIONS
FL2 = 6 Volt, 11 Watt Emergency Lighting Unit FL3 = 6 Volt, 17 Watt Emergency Lighting Unit with 6 Watt Remote Capability	Blank = White B = Black	OT = Self-Diagnostics (available in white housing only)
		ACCESSORIES (Ordered Separately) WG5 = Wire Guard

FL4

decorative emergency lighting



commercial lighting

features

- 120/277 VAC, 60 Hz dual voltage input
- 6 volt, 11 watt unit
- Maintenance-free, sealed lead calcium battery
- Surface wall or ceiling installation
- Impact-resistant UL 94 V-0, 5 VA thermoplastic (completely self-contained)
- Labor-saving, snap-together design eases installation
- Backplate with matching knockouts simplifies installation to standard junction boxes
- Two 6 VDC, 5.4 watt T-5 lamps with flush-mounted fresnel lenses
- UL 924 listed
- NFPA 101, NEC, BOCA, OSHA and IBC illumination standards

electrical specifications

Input power requirements: 0.060 A (120 VAC), 0.031 A (277 VAC)

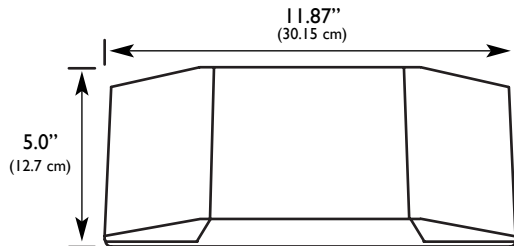
operating temperature range

Standard Location: 68°F (20°C) to 86°F (30°C)

warranty

Electronics - three years full; Battery - one year full, four years pro-rata

dimensions



ordering information

FL4	
SERIES	HOUSING COLOR
FL4 = 6 Volt, 11 Watt Emergency Lighting Unit	Blank = White
ACCESSORIES (Ordered Separately) PVS = Polycarbonate Vandal Shield WGS = Wire Guard	

L6-L12

commercial grade emergency lighting



features

- 120/277 VAC, 60 Hz dual voltage input
- 6 or 12 volt operation, 50 to 100 watt units
- Maintenance-free, sealed lead calcium battery
- Impact-resistant, UL 94 V-0, 5 VA thermoplastic housing and lamp heads
- Off-white housing is standard
- Illumination provided by two 6 VDC or 12 VDC, 9 watt, fully adjustable Par 36 lamp heads
- UL 924 listed
- NFPA 101, NEC, BOCA, OSHA and IBC illumination standards

electrical specifications

Input power requirements: 0.11 A (120 VAC), 0.05 A (277 VAC)

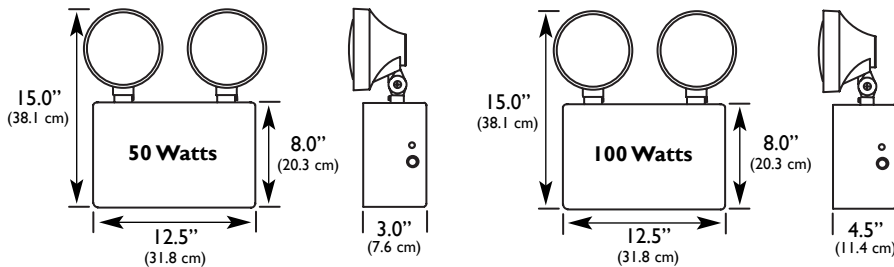
operating temperature range

65°F (19°C) to 85°F (30°C)

warranty

Electronics - three years full; Battery - one year full, four years pro-rata

dimensions



ordering information

SERIES
L650 = 6 Volt, 50 Watt Unit
L6100 = 6 Volt, 100 Watt Unit
L1250 = 12 Volt, 50 Watt Unit
L12100 = 12 Volt, 100 Watt Unit

Unison Series

contemporary emergency lighting
6 volt, 12 to 18 watt units



commercial lighting

features

- 120/277 VAC, 60 Hz dual voltage input
- Maintenance-free, sealed lead calcium or sealed nickel cadmium battery
- 6 volt, 12 to 18 watt units
- Reliable, economical, contemporary emergency lighting suitable for wall mounting
- Integral, adjustable lamps can be adjusted 180° vertically and horizontally
- Multiple lamp types available
- Impact-resistant, UL 94 V-0, 5 VA thermoplastic
- Modular plug-in wiring harness allows line voltage connections in either the junction box or product housing
- UL 924 listed, meets ADA specifications for wall mounted fixtures
- NFPA 101, NEC, BOCA, OSHA and IBC illumination standards

electrical specifications

- Input power requirements
- 12 Watt Unit = 0.112 A (120 VAC), 0.062 A (277 VAC)
- 14 to 18 Watt Units = 0.077 A (120 VAC), 0.034 A (277 VAC)

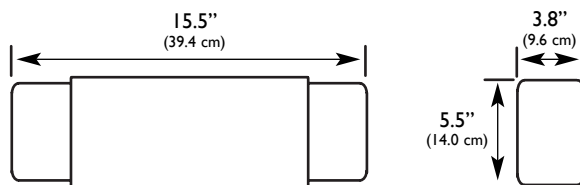
operating temperature range

Standard Location: 65°F (19°C) to 85°F (30°C)

warranty

- Electronics - three years full
- Lead Calcium Battery - one year full, four years pro-rata
- Nickel Cadmium Battery - five years full, five years pro-rata

dimensions



ordering information

U			
SERIES	BATTERY/WATTAGE	LAMP TYPE ¹	HOUSING COLOR
U = Unison Series Thermoplastic Emergency Lighting Unit	Lead Calcium 12L = 12 Watt Unit 18L = 18 Watt Unit Nickel Cadmium 12N = 12 Watt Unit 14N = 14 Watt Unit 18N = 18 Watt Unit	T6 = Tungsten 6W T7 = Tungsten 7W T9 = Tungsten 9W H7 = Halogen 7W	W = White B = Black
ACCESSORIES (Ordered Separately) UCKTW = White Canopy for Ceiling Mount UCKTB = Black Canopy for Ceiling Mount PVS = Polycarbonate Vandal Shield WG5 = Wire Guard			Note: 1) Selected lamp wattage cannot exceed unit output rating.

Unison Series

contemporary emergency lighting
6 or 12 volt, 18 to 72 watt units



features

- 120/277 VAC, 60 Hz dual voltage input
- Maintenance-free, sealed lead calcium or sealed nickel cadmium battery
- 6 or 12 volt, 18 to 72 watt units
- Reliable, economical, contemporary emergency lighting product suitable for wall mounting
- Integral, adjustable lamps can be adjusted 180° vertically and horizontally, multiple lamp types available
- Impact-resistant, UL 94 V-0, 5 VA thermoplastic
- Modular plug-in wiring harness allows line voltage connections in either the junction box or product housing
- Standard Smart Charger self-diagnostics, self-testing is optional (see page 77 for Smart Charger features)
- UL 924 listed, UL Damp Location listing optional, NFPA 101, NEC, BOCA, OSHA and IBC illumination standards

electrical specifications

- Input power requirements
- 6 VDC Models: 0.139 A (120 VAC), 0.060 A (277 VAC)
- 12 VDC Models: 0.288 A (120 VAC), 0.125 A (277 VAC)

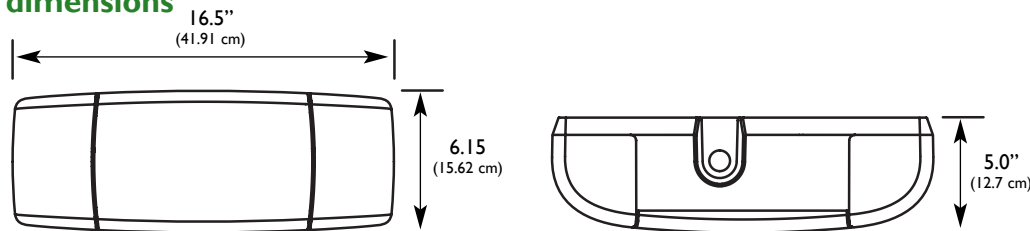
operating temperature range

Standard Location: 65°F (19°C) to 85°F (30°C), Damp Location: 32°F (0°C) to 104°F (40°C)

warranty

- Electronics - three years full
- Lead Calcium Battery - one year full, four years pro-rata
- Nickel Cadmium Battery - five years full, five years pro-rata

dimensions



ordering information

SERIES	BATTERY/WATTAGE	LAMP TYPE ¹	HOUSING COLOR	SC MODEL DES.	OPTIONS ²
U = 6 Volt, Unison Series Thermoplastic Emergency Lighting Unit	Lead Calcium 18L = 18 Watt Unit ⁵ 25L = 25 Watt Unit 36L = 36 Watt Unit 50L = 50 Watt Unit	6 Volt H6 = Halogen 6W H7 = Halogen 7W H10 = Halogen 10W H12 = Halogen 12W	W = White B = Black	SC = Smart Charger Self-Diagnostics	A = Ammeter ACF = 120/277 VAC Input Fuse ACP = 120/277 VAC Power Switch DCP = DC Battery Disconnect Switch DL = Damp Location Listing ⁴ EX = Special Input Transformer ² (specify voltage & frequency)
U2 ¹ = 12 Volt, Unison Series Thermoplastic Emergency Lighting Unit	Nickel Cadmium 25N = 25 Watt Unit 50N = 50 Watt Unit	12 Volt T12 = Halogen 12W H12 = Halogen 12W MR16 Flood H20F = Halogen 20W MR16 Flood H20S = Halogen 20W MR16 Spot			T = Self-Testing Diagnostics (non-audible) TA = Audible Self-Testing Diagnostics TD = Time Delay ³ TP = Torx Tamperproof Hardware, Includes Bit V = Voltmeter
<p>ACCESSORIES (Ordered Separately)</p> <p>SCIR = Smart Charger Infra-Red Remote PVS = Polycarbonate Vandal Shield WG5 = Wire Guard SUMK = Universal Mounting Kit for Columns, Poles and I-beams T15TPTOOL = Tamperproof Driver and Bit</p>					
<p>NOTE:</p> <p>1) 12VDC models only available in 36, 50 and 72 watt lead calcium, 25 and 50 watt nickel cadmium.</p> <p>2) Some option combinations may impact UL listing. Consult factory for specifics.</p> <p>3) 15 minute delay.</p> <p>4) 72 watt units not available with DL option.</p> <p>5) 18 watt units not available in 12 volt models.</p>					

Unison Series

contemporary remote emergency lighting

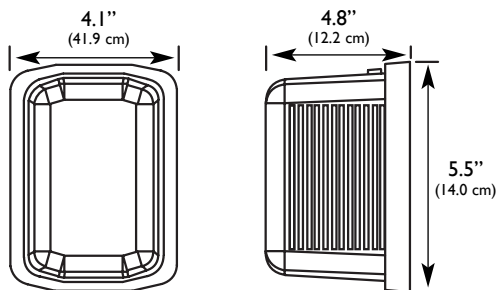


commercial lighting

features

- Two distinct remote head designs
- 6 or 12 volt, 6 to 20 watt units
- Suitable for wall or ceiling mounting, ideal for damp locations
- “U” series is gasketed for outdoor use
- A wide variety of lamps to meet specific egress requirements
- High-performance, specular, parabolic reflector lamps can be adjusted 180° vertically and horizontally
- Backplate constructed of impact-resistant, UL 94 V-0, 5 VA thermoplastic
- Furnished low-voltage supply wires (12") are connected at the junction box to either a 6 VDC or 12 VDC emergency power source
- NFPA 101, NEC, BOCA, OSHA and IBC illumination standards, meets ADA specifications for wall mounted lighting fixtures

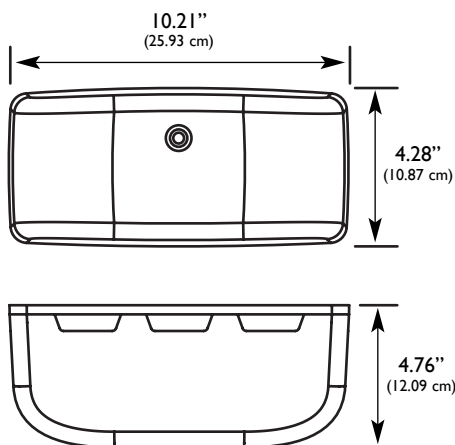
dimensions



ordering information

U			
SERIES	LAMP WATTAGE/VOLTAGE	BACKPLATE COLOR	OPTIONS
U = Unison Series	6 Volt, Tungsten T-5 Wedge Base T66 = 6W, 6 VDC T76 = 7W, 6 VDC T96 = 9W, 6 VDC 6 Volt, Halogen T-2 1/4 Wedge Base H76 = 7W, 6 VDC H106 = 10W, 6 VDC H126 = 12W, 6 VDC 6 Volt, Halogen MR11 Style MR5 = Single 5W, 6 VDC MR10 = Double 5W, 6 VDC 12 Volt, Tungsten T912 = 9W, 12 VDC T1212 = 12W, 12 VDC T1812 = 18W, 12 VDC 12 Volt, Halogen H1212 = 12W, 12 VDC 12 Volt, Halogen MR16 Style¹ H2012 = 20W, 12 VDC	W = White B = Black	G = Gasketed for Outdoor Use ²
NOTE: 1) Halogen 20 watt, 12VDC lamp is a MR16 style. 2) A form fitted gasket is supplied to be installed between the luminaire and junction box to protect against water entry. This product is not recommended for use in areas where high wind or high pressure spray washdown could occur.			

dimensions



ordering information

SERIES	LAMP WATTAGE/VOLTAGE	HOUSING COLOR
UR = 6 Volt Unison Series	6 Volt H6 = 6W Halogen H7 = 7W Halogen	W = White B = Black
UR2 = 12 Volt Unison Series	H10 = 10W Halogen H12 = 12W Halogen 12 Volt T12 = 12W Halogen H12 = 12W Halogen MR16 Flood H20F = 20W Halogen MR16 Flood H20S = 20W Halogen MR16 Spot	

Vectra Series

general duty thermoplastic unit



features

- 120/277 VAC, 60 Hz dual voltage input, 6 and 12 volt, 12 to 50 watts
- Maintenance-free, sealed lead calcium or nickel cadmium battery
- Universal j-box mounting pattern or keyhole knockouts available for mounting
- Can mount up to three lamp heads
- Preferred "J" Series rectangular lamp head incorporates a high-performance, parabolic reflector with a wedge base tungsten lamp
- Standard Smart Charger self-diagnostics, self-testing is optional (see page 77 for Smart Charger features)
- UL 924 listed, UL damp location listing optional
- NFPA 101, NEC, BOCA, OSHA and IBC illumination standards

electrical specifications

Non-Diagnostic Models

- 6 V Lead Calcium: 0.115 A (120 VAC), 0.050 A (277 VAC)
- 6 V NiCad: 0.160 A (120 VAC), 0.071 A (277 VAC)
- 12 V Lead Calcium: 0.126 A (120 VAC), 0.055 A (277 VAC)
- 12 V NiCad: 0.116 A (120 VAC), 0.051 A (277 VAC)

Smart Charger Models

- 6 V Lead Calcium: 0.113 A (120 VAC), 0.055 A (277 VAC)
- 6 V NiCad: 0.157 A (120 VAC), 0.065 A (277 VAC)
- 12 V Lead Calcium: 0.331 A (120 VAC), 0.146 A (277 VAC)
- 12 V NiCad: 0.200 A (120 VAC), 0.094 A (277 VAC)

operating temperature range

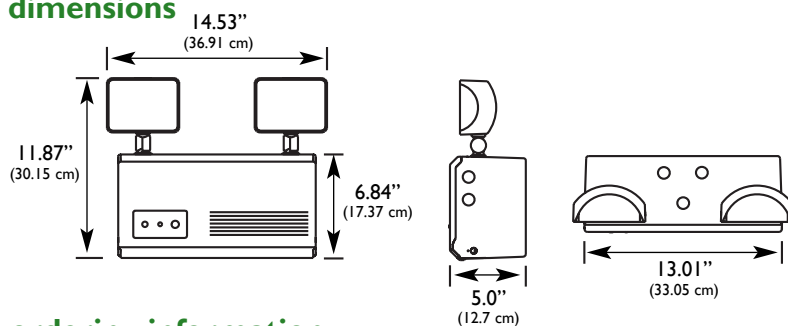
Standard: 65°F (19°C) to 85°F (30°C), Damp Location: 32°F (0°C) to 104°F (40°C)

warranty

Electronics - three years full

Lead Calcium Battery - one year full, four years pro-rata; Nickel Cadmium Battery - five years full, five years pro-rata

dimensions



ordering information

SERIES	HOUSING	HEAD TYPE	# OF HEADS	MODEL DES.	OPTIONS ³
6 VDC, Lead Calcium 6V12 = 12 W ² 6V25 = 25 W 6V36 = 36 W ¹ 6V50 = 50 W 6 VDC, Nickel Cadmium 6VN25 = 25 W 6VN50 = 50 W	12 VDC, Lead Calcium 2VN25 = 25 W 2V36 = 36 W ² 2V50 = 50 W 12 VDC, Nickel Cadmium 2VN25 = 25 W 2VN50 = 50 W	W = White B = Black 6 VDC Tungsten J6 = 5.4 W J7 = 7 W J9 = 9 W 12 VDC Tungsten J29 = 9 W J212 = 12 W J218 = 18 W Optional heads available, consult factory or refer to lamp heads page.	Blank = No Lamp Heads 1 = One Lamp Head 2 = Two Lamp Heads 3 = Three Lamp Heads	Blank = Standard Non-Diagnostic Unit SC = Smart Charger Diagnostics	A = Ammeter ³ BD = Battery Disconnect Switch ³ DL = Damp Location Listed ³ FI = 120 VAC Input Fuse ³ F2 = 277 VAC Input Fuse ³ P1 = 120 VAC Power Switch ³ P2 = 277 VAC Power Switch ³ T = Self-Testing Diagnostics ³ TA = Audible Self-Testing Diagnostics ³ TD = Time Delay, 15 Minutes ³ V = Voltmeter ³
ACCESSORIES (Ordered Separately) SCIR = Smart Charger Infra-Red Remote PVS = Polycarbonate Vandal Shield WG5 = Wire Guard		Note: 1) Not available with DL option. 2) Only available with non-diagnostic models. 3) Only available with Smart Charger models.			

commercial lighting

Vectra Series

commercial/light industrial
6 volt, 25 to 100 watt units



commercial lighting

features

- 120/277 VAC, 60 Hz dual voltage input; 6 volt, 25 to 100 watt units
- Maintenance-free, sealed lead calcium or nickel cadmium battery
- Standard Smart Charger self-diagnostics, self-testing is optional (see page 77 for Smart Charger features)
- Housing is constructed of 20 gauge (25 to 50 watt) or 18 gauge (75 to 100 watt) steel, corrosion-resistant, epoxy powder coat white finish
- Illumination is accomplished with up to two lamp heads (25 to 50 watt units) mounted on the top or side, or three lamp heads (75 to 100 watt units) mounted on the top, side or bottom of the housing
- UL 924 listed, UL Damp Location listing option, NFPA 101, NEC, BOCA, OSHA and IBC illumination standards
- City of Chicago Approved (PRLH86 heads only), New York City Approved (consult factory for specific approvals)

electrical specifications

- Input power requirements
- 6 Volt Lead Calcium: 25 to 100 Watt Units = 0.125 A (120 VAC), 0.060 A (277 VAC)
- 6 Volt Nickel Cadmium: 25 to 50 Watt Units = 0.159 A (120 VAC), 0.065 A (277 VAC)
- 75 Watt Units = 0.223 A (120 VAC), 0.094 A (277 VAC)

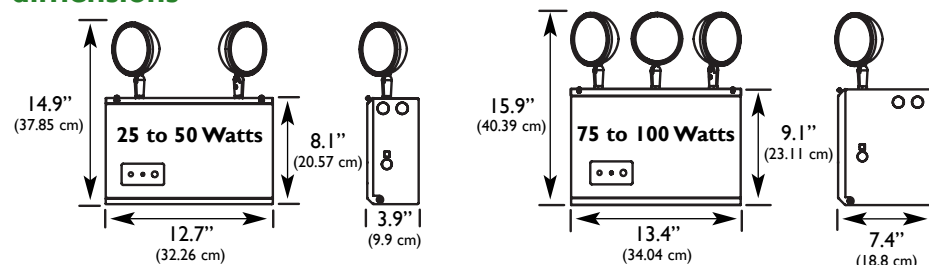
operating temperature range

Standard: 65°F (19°C) to 85°F (30°C), Damp Location: 32°F (0°C) to 104°F (40°C)

warranty

- Electronics - three years full
- Lead Calcium Battery - one year full, four years pro-rata; Nickel Cadmium Battery - five years full, five years pro-rata

dimensions



ordering information

SERIES	LAMP TYPE	# OF HEADS	SC MODEL DES.	OPTIONS ¹
6 Volt, Lead Calcium V625 = 25 Watt V636 = 36 Watt V650 = 50 Watt V675 = 75 Watt V6100 = 100 Watt 6 Volt, Nickel Cadmium V6N25 = 25 Watt V6N50 = 50 Watt V6N75 = 75 Watt	(Metal Chrome PAR 36) 6 VDC Tungsten PRL86 = 8 Watt PRL186 = 18 Watt PRL256 = 25 Watt PRL306 = 30 Watt 6 VDC Halogen PRLH66 = 6 Watt PRLH86 = 8 Watt PRLH126 = 12 Watt	3 = Three ⁴ 2 = Two 1 = One Blank = No Heads	SC = Smart Charger Self-Diagnostics	A = Ammeter BD = Battery Disconnect Switch BM = Lamp Heads Installed on Bottom of Enclosure ² DL = UL Damp Location Listed (0°C to 40°C) EX = Special Input Transformer ¹ (specify voltage & frequency) F1 = 120 VAC Input Fuse F2 = 277 VAC Input Fuse P1 = 120 VAC Power Switch P2 = 277 VAC Power Switch SM = Lamp Heads Installed on Side of Enclosure ³ SP = Special Paint, Specify Color T = Self-Testing Diagnostics TA = Audible Self-Testing Diagnostics TD = Time Delay, 15 Minutes V = Voltmeter
ACCESSORIES (Ordered Separately)				NOTE: 1) Some option combinations may impact UL listing. Consult factory for specifics. 2) Bottom mounted lamp heads (BM) available on 75 to 100 watt units only. 3) Side mounted lamp heads (SM) are not installed onto the enclosure at the factory. 4) 75 to 100 watt units only.
SCIR = Smart Charger Infra-Red Remote SSMP = Mounting Plate (25W-50W) SMMP = Mounting Plate (75W-100W) SKIT = Strapping Kit For Use With Mounting Plates To Affix To Columns, Poles and I-beams WG5 = Wire Guard (25W-100W)				

Vectra Series

commercial/light industrial
12 volt, 25 to 450 watt units



commercial lighting

features

- 120/277 VAC, 60 Hz dual voltage input; 12 volt, 25 to 450 watt units
- Maintenance-free, sealed lead calcium or nickel cadmium battery
- Standard Smart Charger self-diagnostics, self-testing is optional (see page 77 for Smart Charger features)
- Housing is constructed of 20 gauge (25 to 50 watt) or 18 gauge (75 to 450 watt) steel, corrosion-resistant, epoxy powder coat white finish
- Illumination is accomplished with up to two lamp heads (25 to 50 watt units) mounted on the top or side, or three lamp heads (75 to 450 watt units) mounted on the top, side or bottom of the housing
- UL 924 listed, UL Damp Location listing option, NFPA 101, NEC, BOCA, OSHA and IBC illumination standards, City of Chicago Approved, New York City Approved (consult factory for specific approvals)

electrical specifications

- Input power requirements
- 12 Volt Lead Calcium: 50 to 200 Watt Units = 0.393 A (120 VAC), 0.173 A (277 VAC)
250 to 450 Watt Units = 0.560 A (120 VAC), 0.236 A (277 VAC)
- 12 Volt Nickel Cadmium: 25 to 50 Watt Units = 0.200 A (120 VAC), 0.094 A (277 VAC)
75 to 150 Watt Units = 0.433 A (120 VAC), 0.188 A (277 VAC)

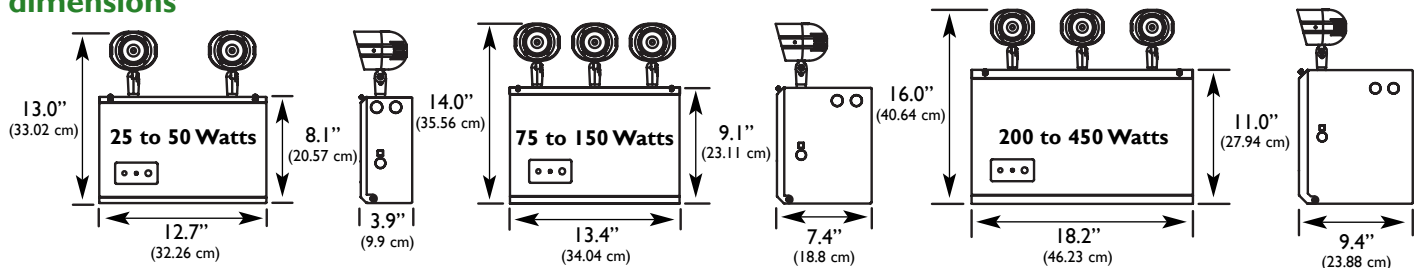
operating temperature range

Standard: 65°F (19°C) to 85°F (30°C), Damp Location: 32°F (0°C) to 104°F (40°C)

warranty

- Electronics - three years full
- Lead Calcium Battery - one year full, four years pro-rata; Nickel Cadmium Battery - five years full, five years pro-rata

dimensions



ordering information

SERIES	LAMP TYPE	# OF HEADS	SC MODEL DES.	OPTIONS ¹			
12 Volt, Lead Calcium V1250 = 50 Watt V1275 = 75 Watt V12100 = 100 Watt V12150 = 150 Watt V12200 = 200 Watt V12250 = 250 Watt V12300 = 300 Watt V12450 = 450 Watt	(Metal Chrome PAR 36) 12 VDC Tungsten PRL1212 = 12 Watt PRL1812 = 18 Watt PRL2512 = 25 Watt PRL3012 = 30 Watt	3 = Three ⁴ 2 = Two 1 = One Blank = No Heads	SC = Smart Charger Self-Diagnostics	A = Ammeter BD = Battery Disconnect Switch BM = Lamp Heads Installed on Bottom of Enclosure ² DL = UL Damp Location Listed (0°C to 40°C) EX = Special Input Transformer ¹ (specify voltage & frequency) F1 = 120 VAC Input Fuse F2 = 277 VAC Input Fuse P1 = 120 VAC Power Switch P2 = 277 VAC Power Switch SM = Lamp Heads Installed on Side of Enclosure ³ SP = Special Paint, Specify Color T = Self-Testing Diagnostics TA = Audible Self-Testing Diagnostics TD = Time Delay, 15 Minutes V = Voltmeter			
					12 Volt, Nickel Cadmium V12N25 = 25 Watt V12N50 = 50 Watt V12N75 = 75 Watt V12N100 = 100 Watt V12N125 = 125 Watt V12N150 = 150 Watt	(MRL16 Metal Lamp Heads) 12 VDC Halogen PRLH1212 = 12 Watt PRLH3012 = 30 Watt PRLH5012 = 50 Watt	ACCESSORIES (Ordered Separately) SCIR = Smart Charger Infra-Red Remote SSMP = Mounting Plate (25W-50W) SMMP = Mounting Plate (75W-150W) SLMP = Mounting Plate (200W-450W) SKIT = Strapping Kit For Use With Mounting Plates To Affix To Columns, Poles and I-beams WGS = Wire Guard (25W-150W) WG = Wire Guard (200W-450W)

Vectra Series

commercial/light industrial
24 volt, 100 to 450 watt units



commercial lighting

features

- 120/277 VAC, 60 Hz dual voltage input; 24 volt, 100 to 450 watt units
- Maintenance-free, sealed lead calcium
- Standard Smart Charger self-diagnostics, self-testing is optional (see page 77 for Smart Charger features)
- Housing is constructed of 18 gauge steel, corrosion-resistant, epoxy powder coat white finish
- Illumination is accomplished with up to three lamp heads mounted on the top, side or bottom of the housing
- UL 924 listed, UL Damp Location listing option, NFPA 101, NEC, BOCA, OSHA and IBC illumination standards
- City of Chicago Approved, New York City Approved (consult factory for specific approvals)

electrical specifications

Input power requirements
24 Volt: 0.741 A (120 VAC), 0.312 A (277 VAC)

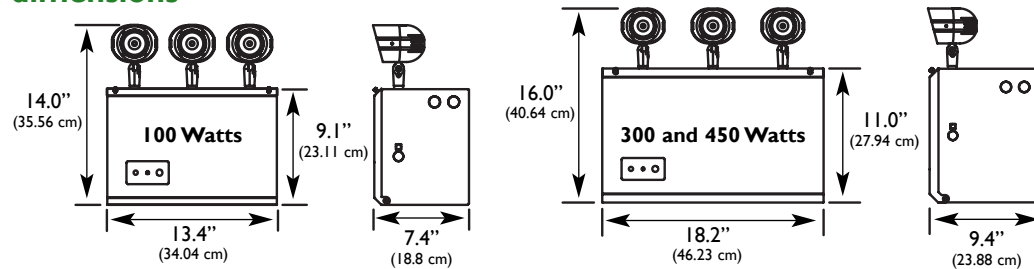
operating temperature range

Standard: 65°F (19°C) to 85°F (30°C), Damp Location: 32°F (0°C) to 104°F (40°C)

warranty

Electronics - three years full
Lead Calcium Battery - one year full, four years pro-rata

dimensions



ordering information

SERIES	LAMP TYPE	# OF HEADS	SC MODEL DES.	OPTIONS ¹
24 Volt, Lead Calcium V24100 = 100 Watt V24300 = 300 Watt V24450 = 450 Watt	(MRI16 Metal Lamp Heads) 24 VDC Halogen M450 = 50 Watt, 40° (Metal Chrome Lamp Heads) 24 VDC PAR 36 HP = 50 Watt	3 = Three 2 = Two 1 = One Blank = No Heads	SC = Smart Charger Self-Diagnostics	A = Ammeter BD = Battery Disconnect Switch BM = Lamp Heads Installed on Bottom of Enclosure DL = UL Damp Location Listed (0°C to 40°C) EX = Special Input Transformer ¹ (specify voltage & frequency) F1 = 120 VAC Input Fuse F2 = 277 VAC Input Fuse P1 = 120 VAC Power Switch P2 = 277 VAC Power Switch SM = Lamp Heads Installed on Side of Enclosure ² SP = Special Paint, Specify Color T = Self-Testing Diagnostics TA = Audible Self-Testing Diagnostics TD = Time Delay, 15 Minutes V = Voltmeter
ACCESSORIES (Ordered Separately) SCIR = Smart Charger Infra-Red Remote SMMP = Mounting Plate (100W) SLMP = Mounting Plate (300W & 450W) SKIT = Strapping Kit For Use With Mounting Plates To Affix To Columns, Poles and I-beams WG5 = Wire Guard (100W) WG = Wire Guard (300W & 450W)			NOTE: 1) Some option combinations may impact UL listing. Consult factory for specifics. 2) Side mounted lamp heads option (SM) are not installed onto the enclosure at the factory.	

Super Square II Series

self-contained, recessed or surface emergency lighting



commercial lighting

features

- 120/277 VAC, 60 Hz dual voltage input
- Maintenance-free, sealed lead calcium or nickel cadmium battery
- Impact-resistant, UL 94 V-0, 5 VA thermoplastic frame and backbox
- Surface, semi-recessed or fully recessed mounting
- Optional semi-recessed backbox constructed of 22 gauge steel
- S201N and S201L furnished with a 12 watt halogen lamp
- S300N furnished with a 7 watt halogen lamp
- UL 924 listed
- NFPA 101, NEC, BOCA, OSHA and IBC illumination standards

electrical specifications

Input power requirements: 0.096 A (120 VAC), 0.04 A (277 VAC)

operating temperature range

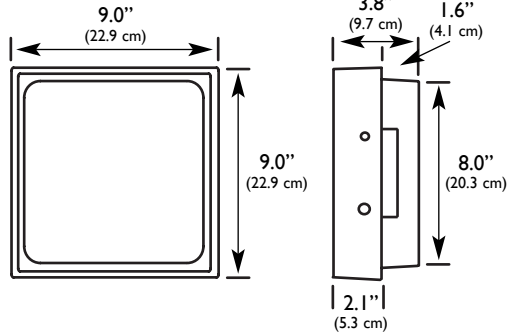
Standard Location: 65°F (19°C) to 85°F (30°C)

warranty

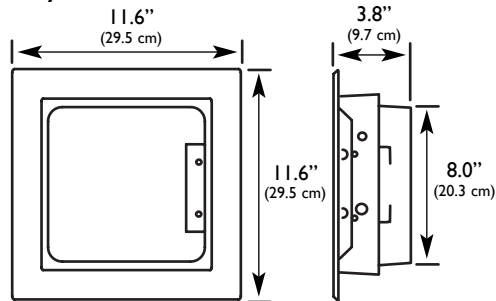
- Electronics - three years full
- Lead Calcium Battery - one year full, four years pro-rata; Nickel Cadmium Battery - five years full, five years pro-rata

dimensions

Surface Mount



Fully Recessed Mount



ordering information

SERIES/BATTERY	MOUNTING CONFIGURATION	OPTIONS
Master Units S201N = 6 Volt, 12 Watt, Nickel Cadmium Battery! S300N = 6 Volt, 26 Watt, Nickel Cadmium Battery! S201L = 6 Volt, 12 Watt, Lead Calcium Battery	Blank = Surface Mount FR = Fully Recessed (for semi-recessed installation, order SRK1 accessory)	V = Voltmeter PC = Polycarbonate Lens 2L = (2) 7 Watt Lamps (S300N only)
ACCESSORIES (Ordered Separately) SRK1 = Semi-Recessed Kit WG3 = Wire Guard for Surface Mount WG4 = Wire Guard for Fully Recessed Unit Remote Units² S400B = 6 Volt, 7 Watt, Surface Mount S400BFR = 6 Volt, 7 Watt, Fully Recessed S400C = 12 Volt, 12 Watt, Surface Mount S400CFR = 12 Volt, 12 Watt, Fully Recessed	Note: 1) Nickel cadmium units are recommended for recessed applications. 2) Remote fixture only. Does not include emergency power source.	

EG

completely self-contained,
recessed gimbal emergency unit



commercial lighting

features

- 120/277 VAC, 60 Hz dual voltage input
- Maintenance-free, sealed lead calcium or nickel cadmium battery
- Charging system is complete with low voltage disconnect, AC lockout, brownout protection, AC indicator lamp and test switch
- All electronics are completely self-contained
- Aluminum housing and gimbal assembly have a compact, low-profile design and white matte finish
- Easily recessed into suspended ceilings
- Model EG12C is City of Chicago Environmental Airspace (CCEA) listed
- UL 924 listed
- NFPA 101, NEC, BOCA, OSHA and IBC illumination standards

electrical specifications

Input power requirements: 0.08 A (120 VAC), 0.03 A (277 VAC)

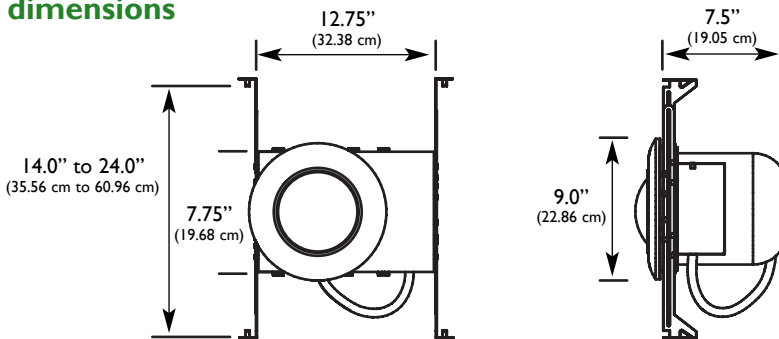
operating temperature range

Standard Location: 65°F (19°C) to 85°F (30°C)

warranty

- Electronics - one year full
- Lead Calcium Battery - one year full, four years pro-rata
- Nickel Cadmium Battery - five years full, five years pro-rata

dimensions



ordering information

EG		
SERIES	BATTERY TYPE	LAMP TYPE
EG = Recessed Gimbal	Blank = Lead Calcium 12 Watts N = Nickel Cadmium	7 = 6 Volt, 7 Watt Tungsten 8 = 6 Volt, 8 Watt Halogen 12C = 6 Volt, 12 Watt Tungsten ¹
		NOTE: 1) 12C model only available with lead calcium battery.

ER6/ER12

low-profile, recessed, decorative emergency lighting



features

- 120/277 VAC, 60 Hz dual voltage input
- Maintenance-free, sealed lead calcium or nickel cadmium battery
- 6 volt, 14 to 28 watt units
- 12 volt, 50 and 75 watt units
- Fully recessed assembly for ceiling or wall installation
- Optional bar hanger kit is available for mounting in suspended ceilings
- Impact-resistant UL 94 V-0, 5 VA thermoplastic faceplate (6 volt units only)
- Backbox constructed of 20 gauge galvanized steel with 1/2" conduit knockouts
- Provided with two adjustable lamp heads
- UL 924 listed, UL Damp Location listing option (12 V, 50 W models only)
- NFPA 101, NEC, BOCA, OSHA and IBC illumination standards

electrical specifications

Input power requirements: 0.07 A (120 VAC), 0.03 A (277 VAC)

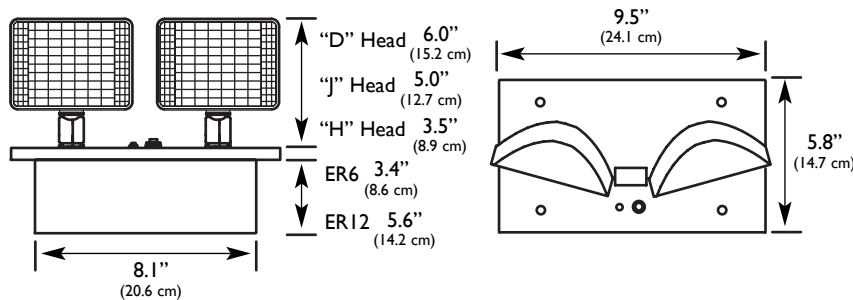
operating temperature range

Standard Location: 65°F (19°C) to 85°F (30°C)

warranty

- Electronics - three years full
- Lead Calcium Battery - one year full, four years pro-rata; Nickel Cadmium Battery - five years full, five years pro-rata

dimensions



ordering information

SERIES	# OF HEADS	LAMP HEADS	OPTIONS	
Lead Calcium Units ER6 = 6 Volt, 18 Watt Unit ER625 = 6 Volt, 25 Watt Unit ER1250 = 12 Volt, 50 Watt Unit ER1275 = 12 Volt, 75 Watt Unit Nickel Cadmium Units ER6N14 = 6 Volt, 14 Watt Unit ER6N28 = 6 Volt, 28 Watt Unit	2 = Two 1 = One	6 Volt - Rectangular Wedge Base J66 = 5.4 W Tungsten J76 = 7.2 W Tungsten J96 = 9.0 W Tungsten 6 Volt - "H" Head H76 = 7.0 W Halogen H126 = 12.0 W Halogen 6 Volt - Round Wedge Base D66 = 5.4 W Tungsten D76 = 7.2 W Tungsten D96 = 9.0 W Tungsten DH76 = 7.0 W Halogen DH96 = 9.0 W Halogen DH126 = 12.0 W Halogen 6 Volt - Round Par 36 Sealed Beam DS86 = 8.0 W Tungsten DSH86 = 8.0 W Halogen DSH126 = 12.0 W Halogen	12 Volt - Rectangular Wedge Base J912 = 9 W Tungsten J1212 = 12.5 W Tungsten J1812 = 18 W Tungsten 12 Volt - "H" Head H1212 = 12 W Halogen 12 Volt - Round Par 36 Sealed Beam DS1212 = 12.0 W Tungsten DSH1212 = 8.0 W Halogen	DL = Damp Location ¹ V = Voltmeter ² W = White Trim Plate B = Black Trim Plate ³
ACCESSORIES (Ordered Separately) BHK1 = Bar Hanger Kit PVS = Polycarbonate Vandal Shield WG8 = Wire Guard			Note: 1) ER1250 units only. 2) Not available with ER6N28. 3) 12 volt units only.	

commercial lighting

Ceil-Pack II Series

low-profile recessed units



commercial lighting

features

- 120/277 VAC, 60 Hz dual voltage input
- 6 or 12 volt operation, 14 to 50 watt units
- Maintenance-free, sealed lead calcium or nickel cadmium battery
- Charging system is complete with low voltage disconnect, AC lockout, brownout protection, AC indicator lamp and test switch
- Faceplate constructed of 18 gauge steel with a white epoxy powder coat finish, backbox is 20 gauge steel
- Designed for easy drop-in installation into suspended ceilings
- Allows up to four adjustable mounted lamp heads
- Optional self-diagnostics
- UL 924 listed, Chicago Approved City Plan No. 1879E
- NFPA 101, NEC, BOCA, OSHA and IBC illumination standards

electrical specifications

Input power requirements: 0.150 A (120 VAC), 0.065 A (277 VAC)

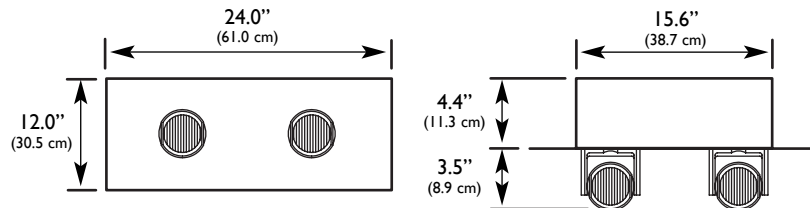
operating temperature range

Standard Location: 65°F (19°C) to 85°F (30°C)

warranty

- Electronics - three years full
- Lead Calcium Battery - one year full, four years pro-rata
- Nickel Cadmium Battery - five years full, five years pro-rata

dimensions



ordering information

SERIES	# OF LAMP HEADS	LAMP HEADS	OPTIONS ¹
Lead Calcium Units CPL625 = 6 Volt, 25 Watts CPL650 = 6 Volt, 50 Watts CPL1250 = 12 Volt, 50 Watts	4 = Four 3 = Three 2 = Two 1 = One 0 = No Heads	6 Volt - Rectangular Wedge Base J66 = 5.4 W Tungsten J76 = 7.2 W Tungsten J96 = 9.0 W Tungsten	A = Ammeter ² ACF1 = 120 VAC Fuse ACF2 = 277 VAC Fuse OT = OmniTest Self-Diagnostics OTAL = OmniTest with Alarm OTTD = OmniTest with Time Delay ³ TD1 = 120 VAC Time Delay ^{2,3} TD2 = 277 VAC Time Delay ^{2,3} V = Voltmeter ²
Nickel Cadmium Units CPN614 = 6 Volt, 14 Watts CPN628 = 6 Volt, 25 Watts CPN1225 = 12 Volt, 25 Watts CPN1250 = 12 Volt, 50 Watts		12 Volt - Rectangular Wedge Base J912 = 9.0 W Tungsten J1212 = 12.5 W Tungsten J1812 = 18.0 W Tungsten	
Note: 1) Some option combinations may impact UL listing. Consult factory for specifics. 2) Not available with OT, OTTD or OTAL options. 3) 15 minute delay.		6 Volt - "H" Head H76 = 7.0 W Halogen H126 = 12.0 W Halogen	
		12 Volt - "H" Head H1212 = 12 W Halogen	
Optional heads available, consult factory or refer to lamp heads page.			

LPM

recessed emergency power
for support of egress lighting



features

- 120/277 VAC, 60 Hz dual voltage input
- Maintenance-free, sealed lead calcium battery
- 12 volt, 50 or 75 watt units to support remote loads
- 20 gauge galvanized steel backbox
- 12 gauge steel trim plate
- Grid or sheetrock ceiling mount
- UL 924 listed
- UL Damp Location listing optional (50 watt models only)
- NFPA 101, NEC, BOCA, OSHA and IBC illumination standards

electrical specifications

Input power requirements: 0.22 A (120 VAC), 0.11 A (277 VAC)

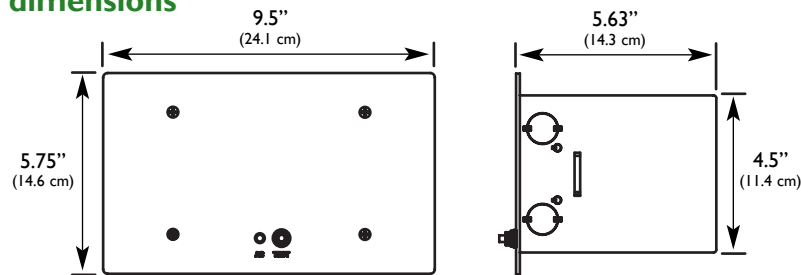
operating temperature range

Standard: 65°F (19°C) to 85°F (30°C), Damp Location: 50°F (10°C) to 104°F (40°C)

warranty

Electronics - three years full; Battery - one year full, four years pro-rata

dimensions



ordering information

LPM		L		
SERIES	OUTPUT WATTAGE	BATTERY	HOUSING COLOR	OPTIONS
LPM = LightGuard Power Module	50 = 50 Watt Unit 75 = 75 Watt Unit	L = Sealed Lead Calcium	W = White B = Black	DL = Damp Location* TD = Time Delay (15 min) * Damp location available on 50W version only.
ACCESSORIES (Ordered Separately)				
BHK1 = Bar Hanger Kit for Mechanical Ceilings				

commercial lighting