

UV16

vandal resistant, wet/damp
location emergency lighting



commercial lighting - outdoor

features

- 120/277 VAC, 60 Hz dual voltage input
- Maintenance-free, sealed lead calcium battery
- Molded from high-impact polycarbonate
- Simplified installation with snap-together backplate/housing
- Illumination is supplied with two high-performance, 5.5 watt, 6 VDC, fully adjustable MR16 halogen lamps
- UL 924 listed
- UL Damp Location listed, UL Wet Location listing optional
- NFPA 101, NEC, BOCA, OSHA and IBC illumination standards
- Meets ADA specifications for wall mounted lighting fixtures

electrical specifications

- Input power requirements
- 120 VAC: 0.05 A, 0.30 A with heater option
- 277 VAC: 0.02 A, 0.13 A with heater option

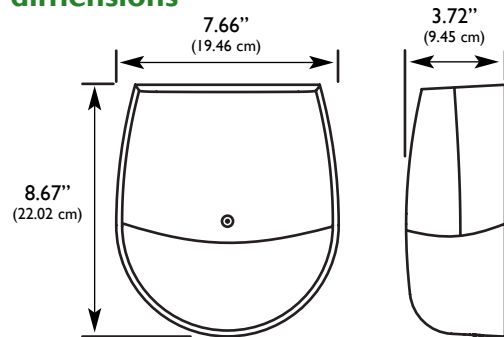
operating temperature range

- Damp Location: 50°F (10°C) to 104°F (40°C)
- Wet Location: 41°F (5°C) to 104°F (40°C)
- Wet Location with Heater: -4°F (-20°C) to 104°F (40°C)

warranty

Electronics - three years full; Battery - one year full, four years pro-rata

dimensions



ordering information

UV16	L		
SERIES	BATTERY	HOUSING COLOR	LOCATION LISTING
UV16 = Unison Vandal Series, 11 Watt	L = Lead Calcium	W = White B = Black BZ = Bronze	Blank = Damp Location WL = Wet Location HR = Wet Location w/ Battery Heater
ACCESSORIES (Ordered Separately) T15TPTOOL = Tamperproof Tool			

Exterior AC/Emergency Fixtures

decorative emergency lighting units



features

- 120/277 VAC, 60 Hz dual voltage input
- 4 or 6 volt operation
- Maintenance-free, sealed nickel cadmium battery
- Low temperature ballast available on select models
- Constructed of impact-resistant polycarbonate
- Illumination is accomplished with compact fluorescent lamps in AC operation and wedge base incandescent lamps in emergency operation
- NFPA 70 and NFPA 101, NEC, BOCA, OSHA and IBC illumination standards

electrical specifications

- Input power requirements at 120 VAC
- C30SEM: 0.15 A, 17 watts; C300EM: 0.15 A, 17 watts
- C300WEM: 0.15 A, 17 watts
- C1200EM: 0.30 A, 34 watts

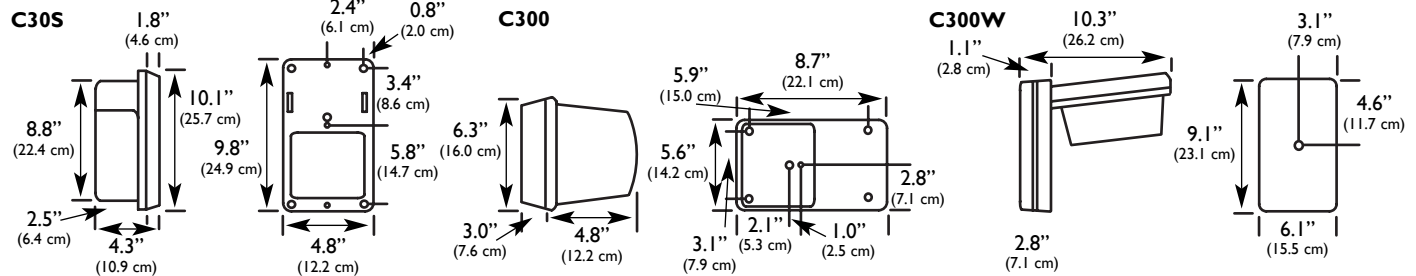
operating temperature range

20°F (-7°C) to 95°F (35°C)

warranty

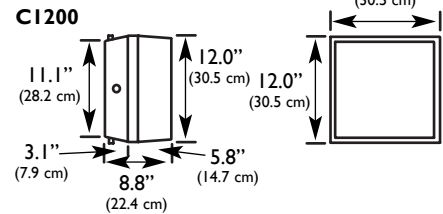
Electronics - three years full; Battery - five years full, five years pro-rata

dimensions



ordering information

SERIES ¹	LENS TYPE	HOUSING	OPTIONS
C30SEM C300EM C300WEM C1200EM	C = Clear Prism O = Opal White	WH = White BR = Bronze BK = Black (see color chart)	TP = Tamperproof (requires T1STPTOOL) Z = Cold Weather Ballast (AC only)
Note: If product will be controlled by either lighting contactor, photocell or time clock, please consult factory to ensure compatibility.			Conduit Connections² CT = Top Conduit Connection CB = Bottom Conduit Connection CR = Right Conduit Connection CL = Left Conduit Connection
Housing Color Availability			Note: 1) Matching non-emergency fixtures are available. Consult factory. 2) Not required for C30S - five knockouts already provided. C300 and C300W suitable for 1/2" or 3/4" conduit. Specify conduit location relative to front view of luminaire.
SERIES	BLACK	WHITE	BRONZE
C30SEM	YES	YES	YES
C300EM	YES	YES	YES
C300WEM	YES	NO	YES
C1200EM	NO	NO	YES



commercial lighting - outdoor

Outdoor Remote Lamp Heads

MRI6 and lamp assemblies



commercial lighting - outdoor

features

Die Cast Aluminum MRI6 Remote Lamp Head (LEF)

12 volt, 20, 35 or 50 watt MRI6 lamps available

Constructed of durable die cast aluminum

Available in black or bronze

Single or double mounting plates available

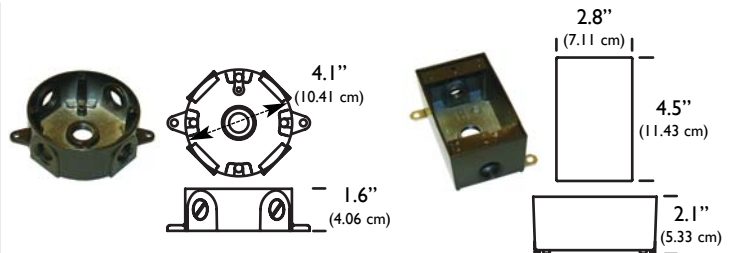


ordering information

LEF				
SERIES	NUMBER OF HEADS	TYPE OF MOUNTING PLATE	COLOR	MRI6 LAMP TYPE
LEF = Decorative Outdoor Remote Head	1 = Single Remote Head 2 = Double Remote Head	R = 4" Round Mounting Plate S = Single Gang Rectangular Mounting Plate	BK = Black BZ = Bronze	20WF = 12 Volt, 20 Watt Wide Flood 40° 35FL = 12 Volt, 35 Watt Flood 25° 35WF = 12 Volt, 35 Watt Wide Flood 40° 50FL = 12 Volt, 50 Watt Flood 25° 50WF = 12 Volt, 50 Watt Wide Flood 40°

ACCESSORIES (Ordered Separately)

ORBBK = Outdoor 4" Round Surface Mount Junction Box, Black
ORBBZ = Outdoor 4" Round Surface Mount Junction Box, Bronze
OSBBK = Outdoor Single Gang, Surface/Recessed 2 1/4" x 4 1/2" Junction Box, Black
OSBBZ = Outdoor Single Gang, Surface/Recessed 2 1/4" x 4 1/2" Junction Box, Bronze



features

Die Cast Aluminum MRI6 Recessed Lamp Head (LRE)

12 volt, 20, 35 or 50 watt MRI6 lamps available (order as a separate item)

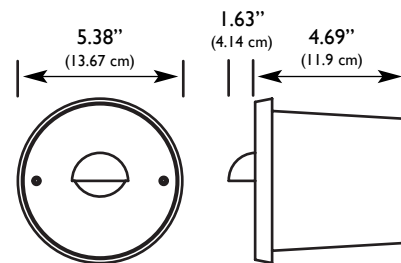
Constructed of durable die cast aluminum

Available in black or bronze

Masonry, concrete or deck mounting only

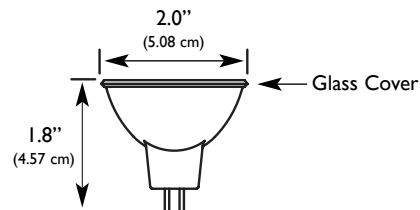
HOW TO ORDER

LREBK = Outdoor Remote Head Recessed, Black
LREBZ = Outdoor Remote Head Recessed, Bronze



HOW TO ORDER

I2MR20WFL = 12 Volt, 20 Watt, 40° Beam Spread
I2MR35FL = 12 Volt, 35 Watt, 25° Beam Spread
I2MR35WFL = 12 Volt, 35 Watt, 40° Beam Spread
I2MR50FL = 12 Volt, 50 Watt, 25° Beam Spread
I2MR50WFL = 12 Volt, 50 Watt, 40° Beam Spread



NightWatch LED Bollard

outdoor general/emergency LED lighting



features

Premium die cast aluminum light engine, fiberglass-reinforced polymer bollard, stainless steel exposed hardware
 Standard powder coat finishes include black, bronze and white, with custom finishes also available
 Energy-efficient, long-lasting, high-intensity, white LEDs offer even illumination
 Each light engine utilizes three high-performance, white LEDs and can be applied from one to all four sides of the bollard

The bollard can be readily affixed by an anchor base, lag bolts or direct burial

The NightWatch Power System provides normal and emergency power support, sold separately (see page 72)
 ETL listed to UL 1598 and 1838 standards

electrical specifications

Input power requirements: 10 watts per LED light engine

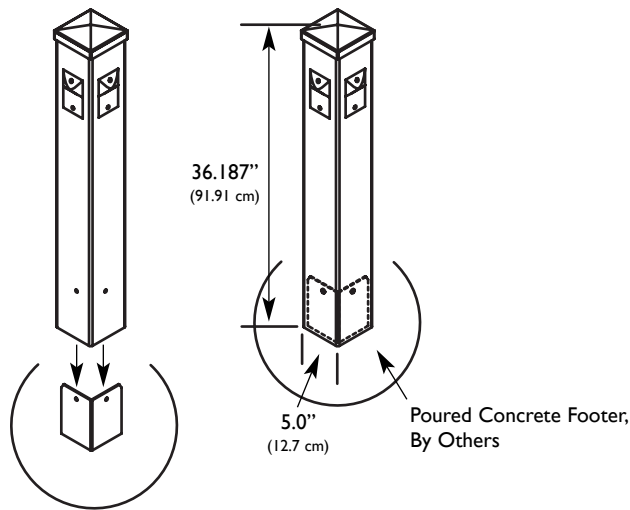
operating temperature range

Standard: -31°F (-35°C) to 104°F (40°C)

warranty

Electronics - three years full

dimensions



ordering information

NW					
SERIES	BOLLARD FINISH	BASE TYPE	# LUMINAIRES & ORIENTATION	LUMINAIRE FINISH	INPUT VOLTAGE
NW = NightWatch Bollard Series	BZ = Bronze BK = Black XX = Custom	A = Anchor Base D = Direct Burial L = Lag Bolt	190 = (1) @ 90 Degrees 290 = (2) @ 90 Degrees 390 = (3) @ 90 Degrees 490 = (4) @ 90 Degrees 2180 = (2) @ 180 Degrees	BK = Black BZ = Bronze WH = White XX = Custom	1 = 12 VAC/VDC 2 = 120 VAC
ACCESSORIES (Ordered Separately) NWPSI = NightWatch Low Voltage Power System for Normal and Emergency Power Support (compatible with 12 VAC/VDC models only)					

commercial lighting - outdoor

Eclipse

outdoor forward throw cutoff luminaire with integral remote emergency lamp



commercial lighting - outdoor

features

- 120/208/240/277 VAC, 60 Hz, multi-tap input wiring
- AC only or emergency operation
- Constructed of premium die-cast aluminum with a powder coat finish
- Stainless-steel torx head T25 tamperproof hardware included
- Easy installation with pre-mountable wall box with integral splice chamber, built-in bubble level and a polarized low-voltage emergency power connector supplied with a 10 foot interconnect
- Illumination is accomplished with one 100 watt, high-pressure sodium lamp or one 100 watt, metal halide lamp combined with a polished specular aluminum reflector with type 4 distribution
- Normally on illumination may be switched or photocell controlled
- Emergency illumination is accomplished with a 35 watt, instant strike Xenarc® lamp powered from a remote emergency battery unit
- Emergency units require a remote 12VDC power source such as LightGuard's LPM50LWDLTD (indoor/outdoor recessed ceiling mount) or VI250SCTD (indoor surface mount), sold separately
- Wet Location listed
- ETL listed to UL 924 and I598 standards, CSA C22.2 No 141-02 and CSA C22.2 No 250.0-04 standards
- NFPA 101, NEC, BOCA, OSHA and IBC illumination standards

electrical specifications

120/208/240/277 VAC, 60 Hz, multi-tap input wiring, 130 watts power consumption

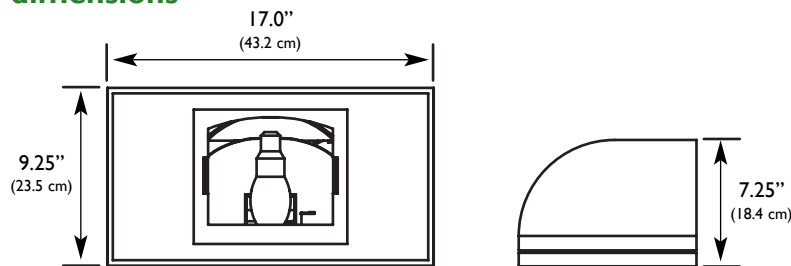
operating temperature range

Wet Location: -40°F (-40°C) to 104°F (40°C)

warranty

Five years (excludes lamps)

dimensions



ordering information

FTCL			BZ
SERIES	AC LAMP TYPE	EMERGENCY FUNCTION ¹	HOUSING COLOR
FTCL = Forward Throw Cutoff Luminaire	IH = 100 Watt, High-Pressure Sodium Lamp IM = 100 Watt, Metal Halide Lamp	Blank = AC Only Fixture, No Emergency Lamp EM = 35 Watt, Instant Strike Xenarc® Lamp	BZ = Bronze
Note: 1) Requires a remote emergency power source of 12VDC and at least 35 watts and TD to cover re-strike period.			

Xenarc® is a registered trademark of Osram Sylvania