

Unity

indoor/outdoor architectural LED lighting



architectural lighting

features

- 120/277 VAC, 60 Hz dual voltage input, maintenance-free, sealed nickel metal hydride battery (battery option)
- Dedicated normally on input may be controlled by switching, dimming, photocell or time clock
- Premium die cast aluminum components, impact-resistant polycarbonate lens
- Standard Smart Charger self-diagnostics, self-testing is optional on self-powered emergency models (see page 77 for Smart Charger features)
- Optional emergency packages for compatibility with generators, inverters and remote emergency input
- Available in a full range of architecturally inspired finishes (see page 5 for color examples)
- UL 1598 and 924 listed, UL Wet Location listing standard
- NFPA 101, NEC, BOCA, OSHA and IBC illumination standards, ADA compliant

electrical specifications

- Input power requirements
- AC Only Models: 0.203 A (120 VAC), 0.087 A (277 VAC)
- AC Only, 2 Circuit Models: 0.203 A (120 VAC), 0.087 A (277 VAC)
- Self-Powered Models: 0.198 A (120 VAC), 0.088 A (277 VAC)
- Self-Powered Models With Heater: 0.366 A (120 VAC), 0.148 A (277 VAC)

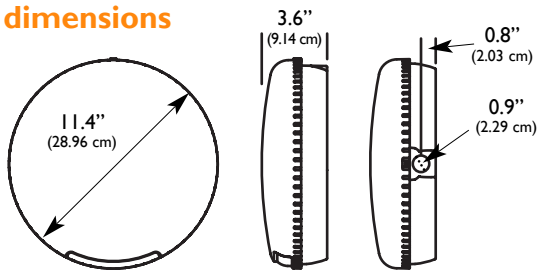
operating temperature range

- AC Only Models - Standard Wet Location: -40°F (-40°C) to 104°F (40°C)
- Standard Wet Location w/ 2CKT Option: -40°F (-40°C) to 104°F (40°C)
- Self-Powered Models - Standard Wet Location: 32°F (0°C) to 104°F (40°C)
- Standard Wet Location w/ Heater Option: -40°F (-40°C) to 104°F (40°C)

warranty

Electronics - three years full; Battery - five years full, five years pro-rata

dimensions



ordering information

U			SC	
SERIES	BATTERY	HOUSING FINISH	MODEL DES.	OPTIONS ¹
U = Unity LED Lighting Fixture	A = AC Only N = Self-Powered Emergency Unit with Nickel Metal Hydride Battery (NiMH)	W = White B = Black A = Aluminum G = Gunmetal BR = Ornamental Bronze AC = Aged Copper VG = Velvet Green N = Nickel GA = Granite	SC = Smart Charger Self-Diagnostics	2CKT1 = Two-Circuit 120/120 VAC (AC only models) 2CKT2 = Two-Circuit 277/277 VAC (AC only models) DC = Universal 12-48 VDC Remote Emergency Input (AC only models) EX = Special Input Transformer ¹ (specify voltage & frequency) HR = Heater Option for -40°C to 40°C Ambient T = Self-Testing Diagnostics TA = Audible Self-Testing Diagnostics TD = Time Delay
ACCESSORIES (Ordered Separately) SCIR = Smart Charger Infra-Red Remote TI0TPTOOL = Tamperproof Screwdriver				

NOTE: 1) Some options impact UL listing. Consult factory for specifics.



features

- 120/277 VAC, 60 Hz dual voltage input
- Dedicated normally on input may be controlled by switching, dimming, photocell or time clock
- Maintenance-free, sealed nickel metal hydride battery (battery option)
- Premium die cast aluminum components, impact-resistant polycarbonate lens
- Standard Smart Charger self-diagnostics, self-testing is optional on self-powered emergency models (see page 77 for Smart Charger features)
- Available in a full range of architecturally inspired finishes (see page 5 for color examples)
- UL 1598 and 924 listed, UL Damp and Wet Location listing standard
- NFPA 101, NEC, BOCA, OSHA and IBC illumination standards, ADA compliant when recessed mounted

electrical specifications

- Input power requirements
- AC Only Models: 0.203 A (120 VAC), 0.087 A (277 VAC)
- AC Only, 2 Circuit Models: 0.203 A (120 VAC), 0.087 A (277 VAC)
- Self-Powered Models: 0.203 A (120 VAC), 0.088 A (277 VAC)
- Self-Powered Models With Heater: 0.366 A (120 VAC), 0.148 A (277 VAC)

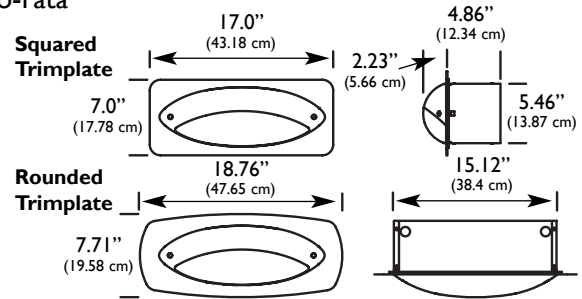
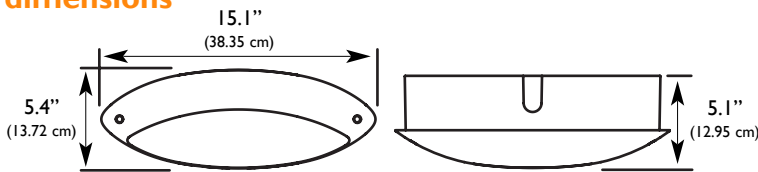
operating temperature range

- AC Only Models - Standard Wet Location: -40°F (-40°C) to 104°F (40°C)
- Standard Wet Location w/ 2CKT Option: -40°F (-40°C) to 104°F (40°C)
- Self-Powered Models - Standard Wet Location: 32°F (0°C) to 104°F (40°C)
- Standard Wet Location w/ Heater Option: -40°F (-40°C) to 104°F (40°C)

warranty

Electronics - three years full; Battery - five years full, five years pro-rata

dimensions



ordering information

GR	BATTERY		HOUSING FINISH	SC	OPTIONS
SERIES	BATTERY		HOUSING FINISH	MODEL DES.	OPTIONS
GR = Grafix Series White LED Luminaire	A = AC Only N = Nickel Metal Hydride Battery (NiMH)		W = White B = Black A = Aluminum G = Gunmetal BR = Ornamental Bronze AC = Aged Copper VG = Velvet Green N = Nickel GA = Granite	SC = Smart Charger Self-Diagnostics	2CKT1 = Two-Circuit 120/120 VAC (AC only models) 2CKT2 = Two-Circuit 277/277 VAC (AC only models) CPR = Concrete-Pour Backbox, Rounded Trimplate ¹ CPS = Concrete-Pour Backbox, Squared Trimplate ¹ DC = Universal 12-48 VDC Remote Emergency Input (AC only models) EX = Special Input Transformer ² (specify voltage & frequency) HR = Heater Option for -40°C to 40°C Ambient T = Self-Testing Diagnostics (Nickel Metal Hydride units only) TA = Audible Self-Testing Diagnostics (Nickel Metal Hydride units only)
ACCESSORIES (Order As A Separate Line Item) SCIR = Smart Charger Infra-Red Remote T10TPTOOL = Tamperproof Driver and Bit RCPBBXX* = Concrete Pour Back Box, Rounded Trimplate SCPBBXX* = Concrete Pour Back Box, Squared Trimplate * Fill in Housing Finish color for "XX" to order matching trimplate color.				NOTE: 1) Concrete-pour backboxes may be ordered for rough-in. See Accessories. If backboxes are installed, omit ordering with CPR/CPS. 2) Some options impact UL listing. Consult factory for specifics.	

Illusion III

architectural ceiling recessed LED lighting



architectural lighting

features

- 120/277 VAC, 60 Hz dual voltage input
- Maintenance-free, sealed nickel metal hydride battery (battery option)
- Premium die cast aluminum components, impact-resistant polycarbonate lens
- Standard Smart Charger self-diagnostics, self-testing is optional on self-powered emergency models (see page 77 for Smart Charger features)
- Optional emergency packages for compatibility with generators, inverters and remote emergency input
- Available in a full range of architecturally inspired finishes (see below for color examples)
- UL 1598 Non-IC and UL 924 listed, UL Damp Location listing standard
- NFPA 101, NEC, BOCA, OSHA and IBC illumination standards

electrical specifications

- Input power requirements
- AC Only Models: 0.203 A (120 VAC), 0.087 A (277 VAC)
- Self-Powered Models: 0.198 A (120 VAC), 0.088 A (277 VAC)

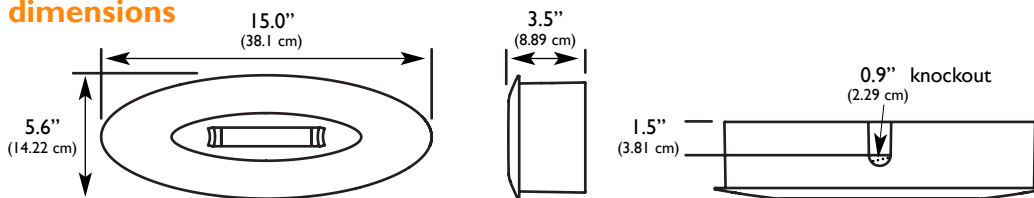
operating temperature range

- AC Only and 2-CKT Models - Standard Damp Location: -40°F (-40°C) to 104°F (40°C)
- Self-Powered Models - Standard Damp Location: 32°F (0°C) to 104°F (40°C)

warranty

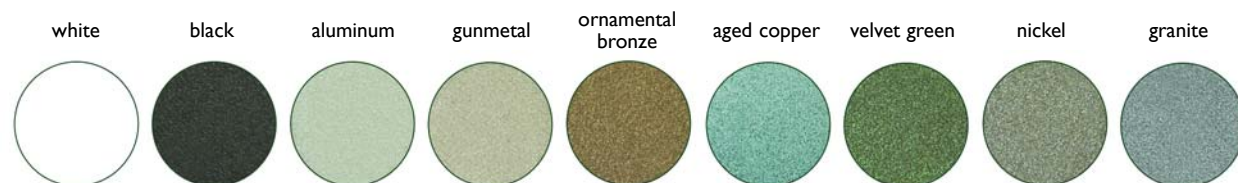
Electronics - three years full; Battery - five years full, five years pro-rata

dimensions



ordering information

I3			SC	
SERIES	BATTERY	HOUSING FINISH	MODEL DES.	OPTIONS
I3 = Illusion III LED Fixture	A = AC Only N = Nickel Metal Hydride Battery (NiMH)	W = White B = Black A = Aluminum G = Gunmetal BR = Ornamental Bronze AC = Aged Copper VG = Velvet Green N = Nickel GA = Granite	SC = Smart Charger Self-Diagnostics	2CKT1 = Two-Circuit 120/120 VAC (AC only models) 2CKT2 = Two-Circuit 277/277 VAC (AC only models) DC = Universal 12-48 VDC Remote Emergency Input (AC only models) EX = Special Input Transformer (specify voltage & frequency) ¹ T = Self-Testing Diagnostics TA = Audible Self-Testing Diagnostics TP = Tamperproof
ACCESSORIES (Order As A Separate Line Item) SCIR = Smart Charger Infra-Red Remote T15TPTOOL = Tamperproof Screwdriver				
NOTE: 1) Some options impact UL listing. Consult factory for specifics.				



color examples are representative and may vary from actual housing powder coat color

NightWatch

emergency/security low-level LED lighting



features

- 12 VAC, 12 VDC or 120 VAC, 50/60 Hz input
- Premium die cast aluminum components
- Available in a full range of architecturally inspired finishes (see page 5 for color examples)
- Energy-efficient, long-lasting, high-intensity, white LEDs offer even illumination
- Intensity control dip switch allows for high, medium and low output modes
- UL Wet Location listed standard for indoor/outdoor use, UL 1598 listed
- NFPA 101, NEC, BOCA, OSHA and IBC illumination standards
- Meets ADA specifications for wall mounted lighting fixtures

electrical specifications

Current at Dip Switch Setting

Input Volts	Low	Med	High
12 VDC	0.140 A	0.330 A	0.430 A
12 VAC	0.220 A	0.465 A	0.585 A
120 VAC	0.035 A	0.065 A	0.085 A

120 VAC Line Voltage Dimmable: 60 Hz, 0.072 A

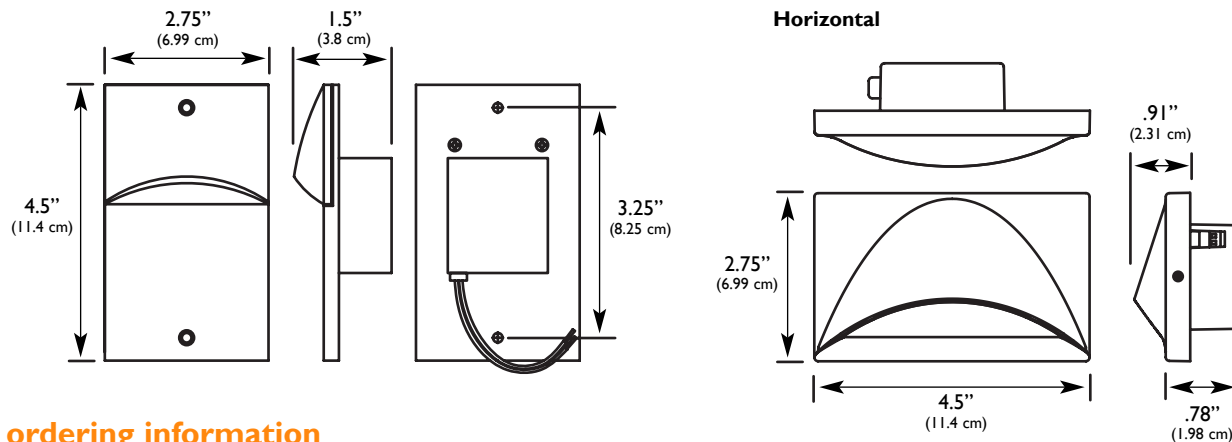
operating temperature range

Standard: -31°F (-35°C) to 104°F (40°C)

warranty

Electronics - five years full

dimensions



ordering information

S		S		
SERIES	INPUT VOLTAGE	LENS	FINISH	DRIVER OPTION
S = NightWatch	1 = 12 AC, DC 2 = 120 VAC	S = Satin	W = White BK = Black IV = Ivory A = Aluminum G = Gunmetal BR = Ornamental Bronze AC = Aged Copper VG = Velvet Green N = Nickel GA = Granite	Blank = Adjustable Dip Switch DIM = Line Voltage Dimmable ¹
Note: 1) Line voltage dimmable driver available only with 120VAC (S2) models.				

architectural lighting

Brillare

architectural emergency LED lighting



architectural lighting

features

- 120/277 VAC, 60 Hz dual voltage input
- Maintenance-free, sealed nickel metal hydride battery
- Microprocessor-based, self-testing diagnostics standard
- Energy-efficient, long-lasting, high-intensity, white LEDs offer even illumination
- Specular Miro 4 (Alanod™) aluminum reflector
- Die cast and extruded aluminum housing
- Available in a full range of architecturally inspired finishes (see page 5 for color examples)
- Built-in infrared receiver for remote testing
- UL 924 listed, UL Damp Location listing optional, City of Chicago Approved
- NFPA 101, NEC, BOCA, OSHA and IBC illumination standards

electrical specifications

Input power requirements: 0.09 A (120 VAC), 0.03 A (277 VAC)

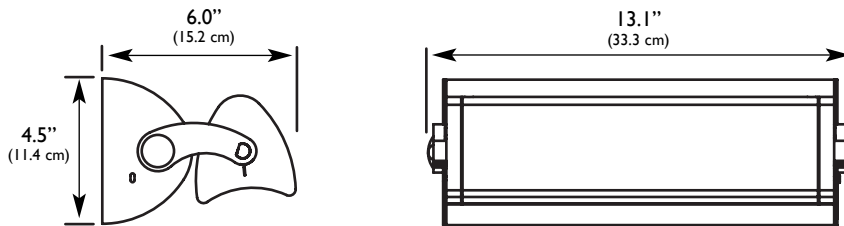
operating temperature range

Standard: 65°F (19°C) to 85°F (30°C)
 Damp Location: 50°F (10°C) to 104°F (40°C)

warranty

Electronics - three years full; Battery - five years full, five years pro-rata

dimensions



ordering information

B		
SERIES	HOUSING COLOR	OPTIONS
B = Brillare	W = White B = Black A = Aluminum G = Gunmetal BR = Ornamental Bronze AC = Aged Copper VG = Velvet Green N = Nickel Consult factory for other colors.	TP = Tamperproof DL = Damp Location ACCESSORIES (Ordered Separately) LGREMOTE = Infrared Remote Control

Brillare Normally On

dimmable normally on LED lighting
with optional emergency input



features

- 120/277 VAC, 60 Hz dual voltage input
- Energy-efficient, long-lasting, high-intensity, white LEDs offer even illumination
- Specular Miro 4 (Alanod™) aluminum reflector
- Die cast and extruded aluminum housing
- Available in a full range of architecturally inspired finishes (see page 5 for color examples)
- UL 924 listed, UL Damp Location listing standard
- NFPA 101, NEC, BOCA, OSHA and IBC illumination standards

electrical specifications

Input power requirements: 0.10 A (120 VAC), 0.04 A (277 VAC)

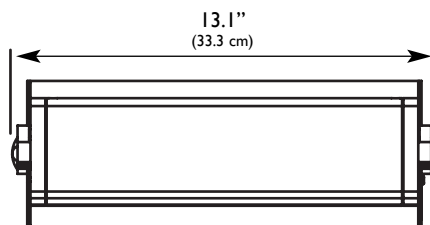
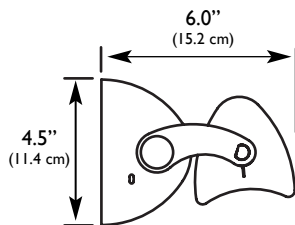
operating temperature range

-22°F (-30°C) to 104°F (40°C)

warranty

Electronics - three years full

dimensions

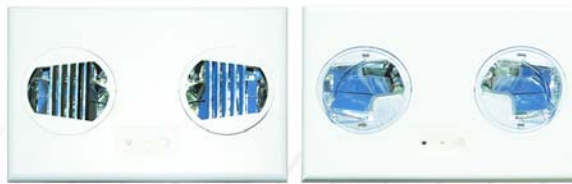


ordering information

BNO			
SERIES	HOUSING COLOR	INPUT VOLTAGE OPTIONS	OPTIONS
BNO = Brillare Normally On	W = White B = Black A = Aluminum G = Gunmetal BR = Ornamental Bronze AC = Aged Copper VG = Velvet Green N = Nickel Consult factory for other colors.	Blank = 120/277 VAC No Emergency 2CKT1 = 120/120 2-Circuit 2CKT2 = 277/277 2-Circuit	TP = Tamperproof
ACCESSORIES (Ordered Separately) T10TPTOOL = Tamperproof Tool with Bit			

Illusion

fully-recessed architectural emergency lighting



architectural lighting

features

- 120/277 VAC, 60 Hz dual voltage input
- Maintenance-free, sealed lead calcium battery
- Standard Smart Charger self-diagnostics, self-testing is optional (see page 77 for Smart Charger features)
- Backbox constructed of 20 gauge galvanized steel
- Cover and diffusers constructed of impact-resistant polycarbonate
- Faceplate may be painted or wallpapered to match wall or ceiling decor
- Illumination is provided by two high-performance, 35 watt MR16 lamps with a reflector system
- 90° head rotation for corner installations
- UL 924 listed for insulated ceilings (IC)
- NFPA 101, NEC, BOCA, OSHA and IBC illumination standards
- Meets ADA specifications for wall mounted lighting fixtures

electrical specifications

Input power requirements: 0.27 A (120 VAC), 0.13 A (277 VAC)

operating temperature range

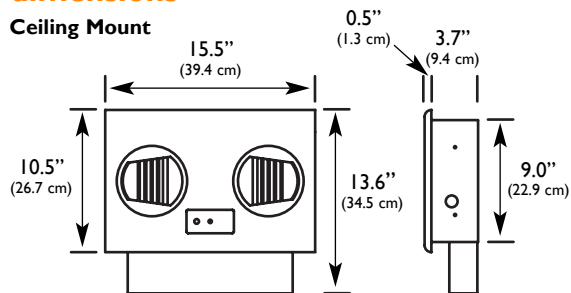
65°F (19°C) to 85°F (30°C)

warranty

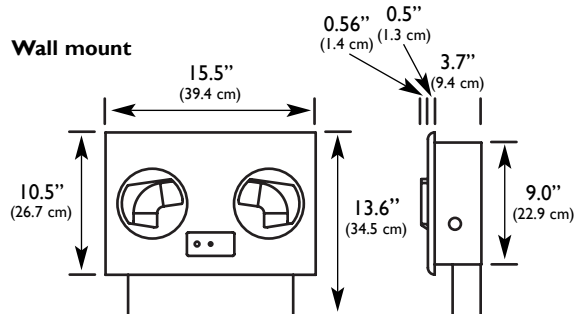
Electronics - three years full; Battery - one year full, four years pro-rata

dimensions

Ceiling Mount



Wall mount

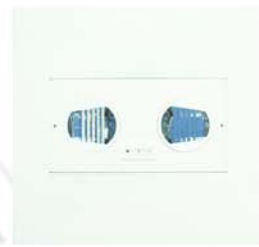


ordering information

I	I		SC	
SERIES	WATTAGE	HOUSING COLOR	MODEL DES.	OPTIONS
I = Illusion Concealed Emergency Unit	I = 72 Watts	W = White B = Black	SC = Smart Charger Self-Diagnostics	EX = Special Input Transformer (specify voltage & frequency) ¹ T = Self-Testing Diagnostics TA = Audible Self-Testing Diagnostics TD = Time Delay ² TP = Tamperproof
<p>ACCESSORIES (Ordered Separately)</p> <p>IBHK = Bar Hanger Kit for Mechanical Ceilings T15TPTOOL = Tamperproof Screwdriver WMLK = Wall Mount Lens Kit CMLK = Ceiling Mount Lens Kit RPLTSW = Remote Test Switch Kit for Single Gang Wall Box 120VAC SCIR = Smart Charger Infra-Red Remote</p>				<p>Note: 1) Some options impact UL listing. Consult factory for specifics. 2) 15 minute time delay.</p>

Illusion²

fully-recessed architectural emergency lighting
specially designed for suspended ceiling installations



features

- 120/277 VAC, 60 Hz dual voltage input
- Maintenance-free, sealed lead calcium battery
- Standard Smart Charger self-diagnostics, self-testing is optional (see page 77 for Smart Charger features)
- Backbox constructed of 14 gauge galvanized steel
- Patented optical assembly constructed of impact-resistant polycarbonate
- Suspended ceiling mounting installation
- Illumination is provided by two high-performance, 35 watt MR16 lamps with a reflector system
- 90° head rotation for corner installations
- UL 924 listed for suspended ceiling systems
- IC rated for insulated suspended ceilings
- NFPA 101, NEC, BOCA, OSHA and IBC illumination standards

electrical specifications

Input power requirements: 0.27 A (120 VAC), 0.13 A (277 VAC)

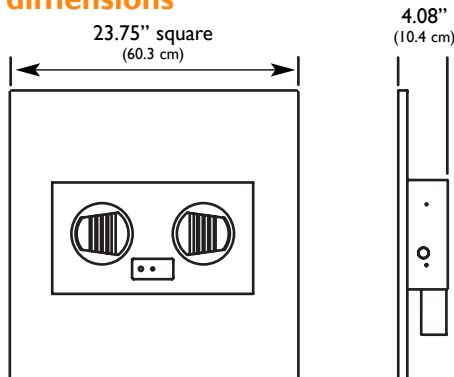
operating temperature range

65°F (19°C) to 85°F (30°C)

warranty

Electronics - three years full; Battery - one year full, four years pro-rata

dimensions



ordering information

I2		SC	
SERIES	HOUSING COLOR	MODEL DES.	OPTIONS
I2 = Illusion 2x2 Emergency Unit	W = White B = Black	SC = Smart Charger Self-Diagnostics	EX = Special Input Transformer ¹ (specify voltage & frequency) T = Self-Testing Diagnostics TA = Audible Self-Testing Diagnostics TD = Time Delay ² TP = Tamperproof
ACCESSORIES (Ordered Separately) I2BHK = Bar Hanger Kit T15TPTOOL = Tamperproof Screwdriver RPLTSW = Remote Test Switch Kit for Single Gang Wall Box SCIR = Smart Charger Infra-Red Remote			Note: 1) Some options impact UL listing. Consult factory for specifics. 2) 15 minute time delay.

Illusion Remote & UVRI6

remote emergency lighting fixtures



architectural lighting

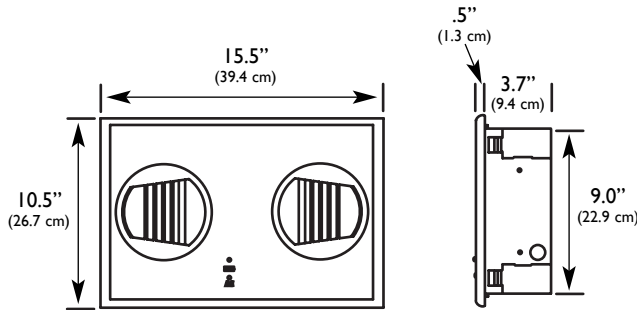
Illusion Remote features

- 12 volt, 70 watt remote emergency lighting fixture
- Fully recessed, architectural emergency lighting that is suitable for wall or ceiling mounting
- Illumination is provided by two high-performance, 35 watt MR16 lamps combined with a reflector system
- Backbox constructed of 20 gauge galvanized steel
- Flush cover and diffusers constructed of impact-resistant polycarbonate
- UL 924 listed for insulated ceiling systems (IC rating)
- NFPA 101, NEC, BOCA, OSHA and IBC illumination standards
- Meets ADA specifications for wall mounted fixtures

UVRI6 features

- 6 VDC, 5.5 watt or 12 VDC, 12 watt MR16 lamps that are fully adjustable
- Housing and backplate are injection molded from a premium impact-resistant polycarbonate
- Wet location versions include a standard gasket kit
- UL 924 listed
- UL 924 Wet Location listed
- NFPA 101, NEC, BOCA, OSHA and IBC illumination standards
- Operating temperature range: -49°F (-45°C) to 140°F (60°C)

Illusion Remote dimensions

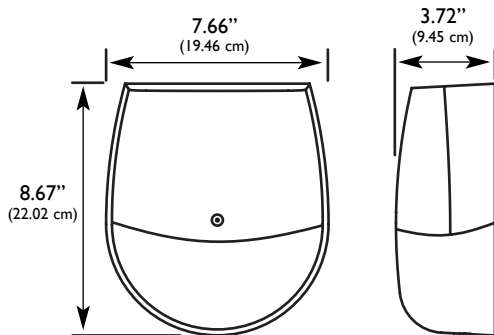


ordering information

Illusion Remote

IIR	HOUSING COLOR	OPTIONS
SERIES	HOUSING COLOR	OPTIONS
IIR = Remote Illusion 70 Watt Concealed Emergency Lighting Unit	W = White B = Black	TP = Tamperproof
ACCESSORIES (Ordered Separately)		
T15TPTOOL = Tamperproof Screwdriver IBHK = Bar Hanger Kit for Mechanical Ceilings WMLK = Wall Mount Lens Kit		

SVRI6 dimensions



ordering information

UVRI6

UVRI6	HOUSING COLOR	LAMP TYPE
SERIES	HOUSING COLOR	LAMP TYPE
UVRI6 = Unison Vandal Series Remote	W = White B = Black BZ = Bronze	Blank = 6 Volt, 5.5 Watt MR16 12 = 12 Volt, 12 Watt MR16
ACCESSORIES (Ordered Separately)		
T15TPTOOL = Tamperproof Tool		